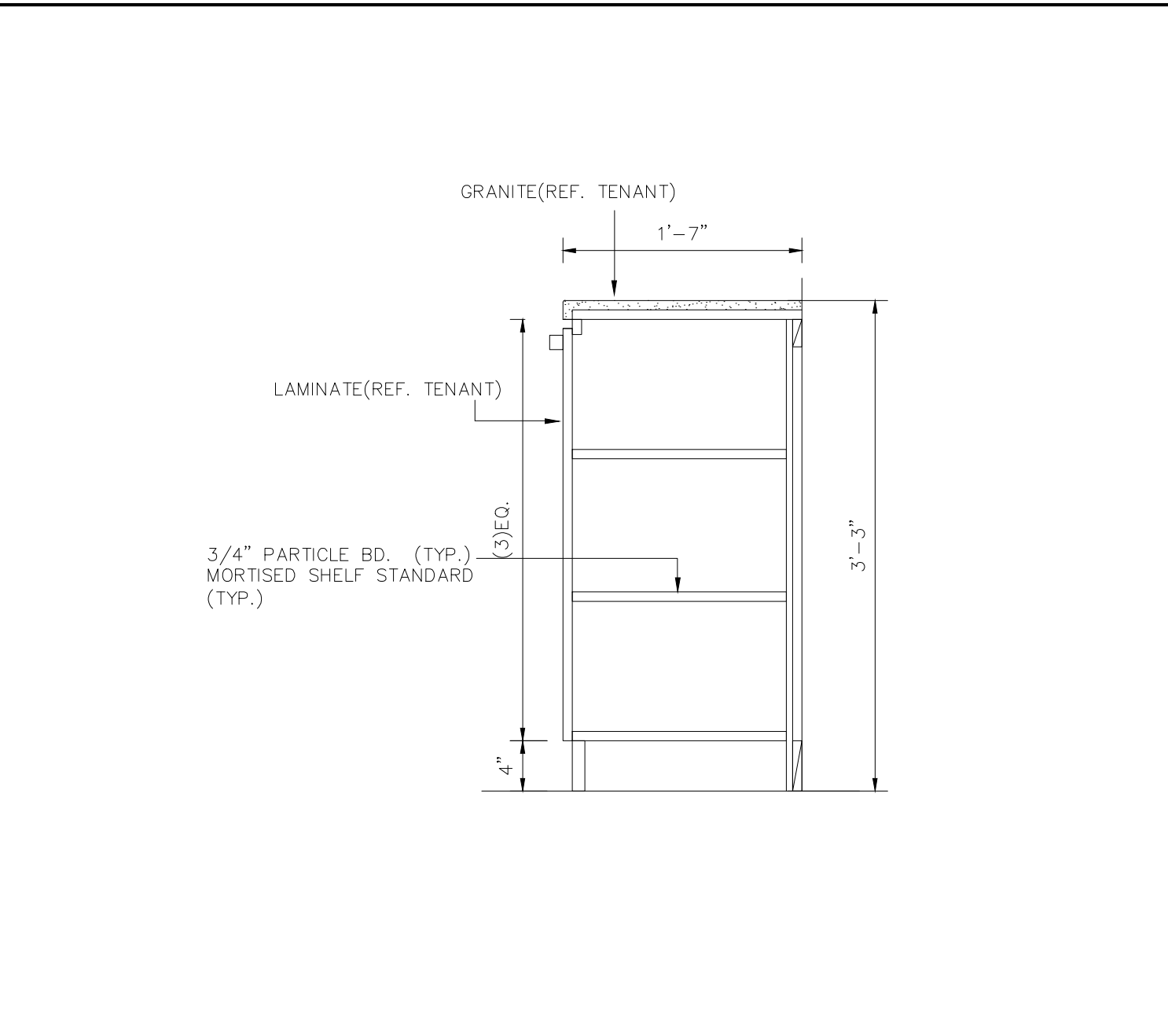
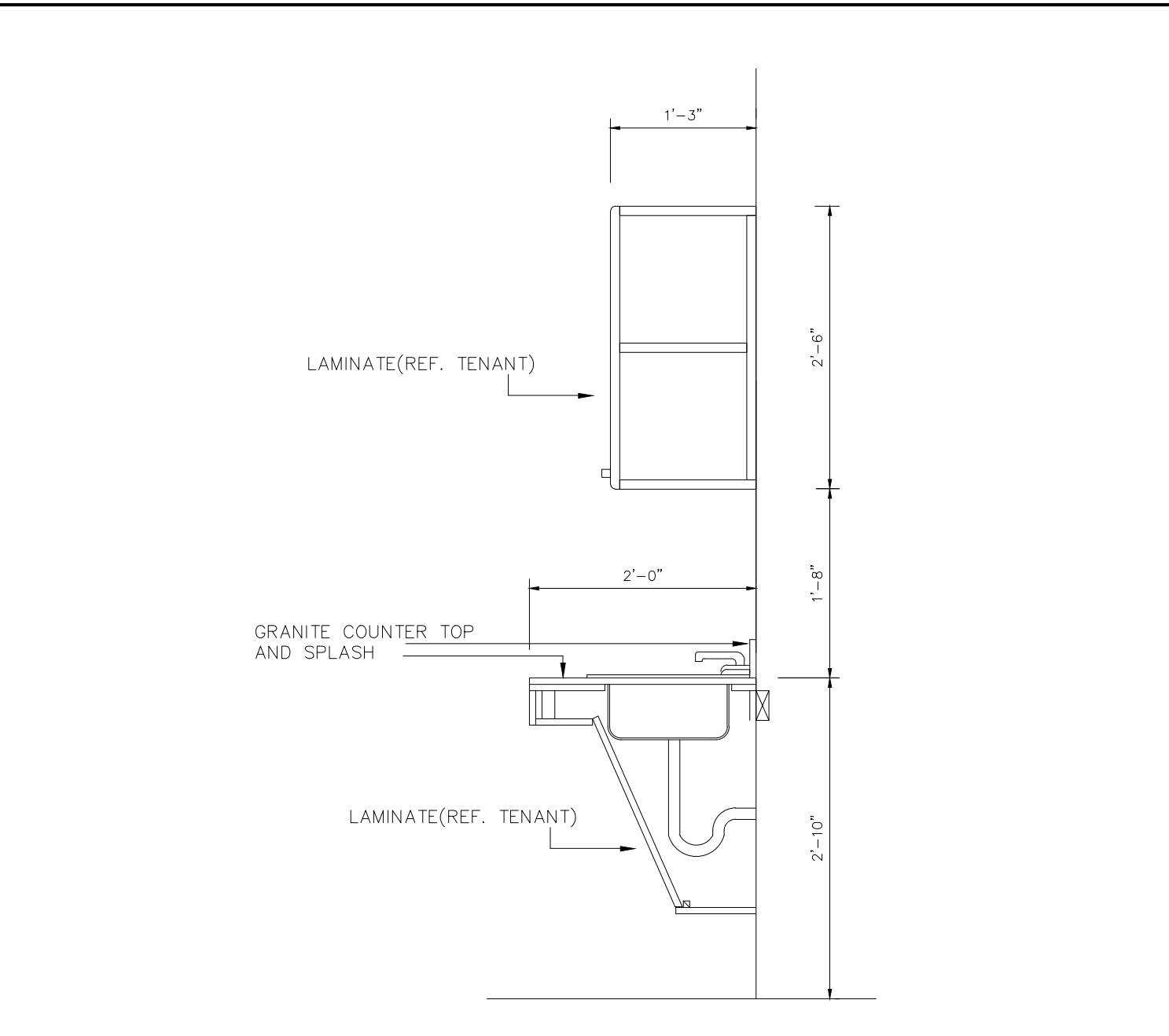


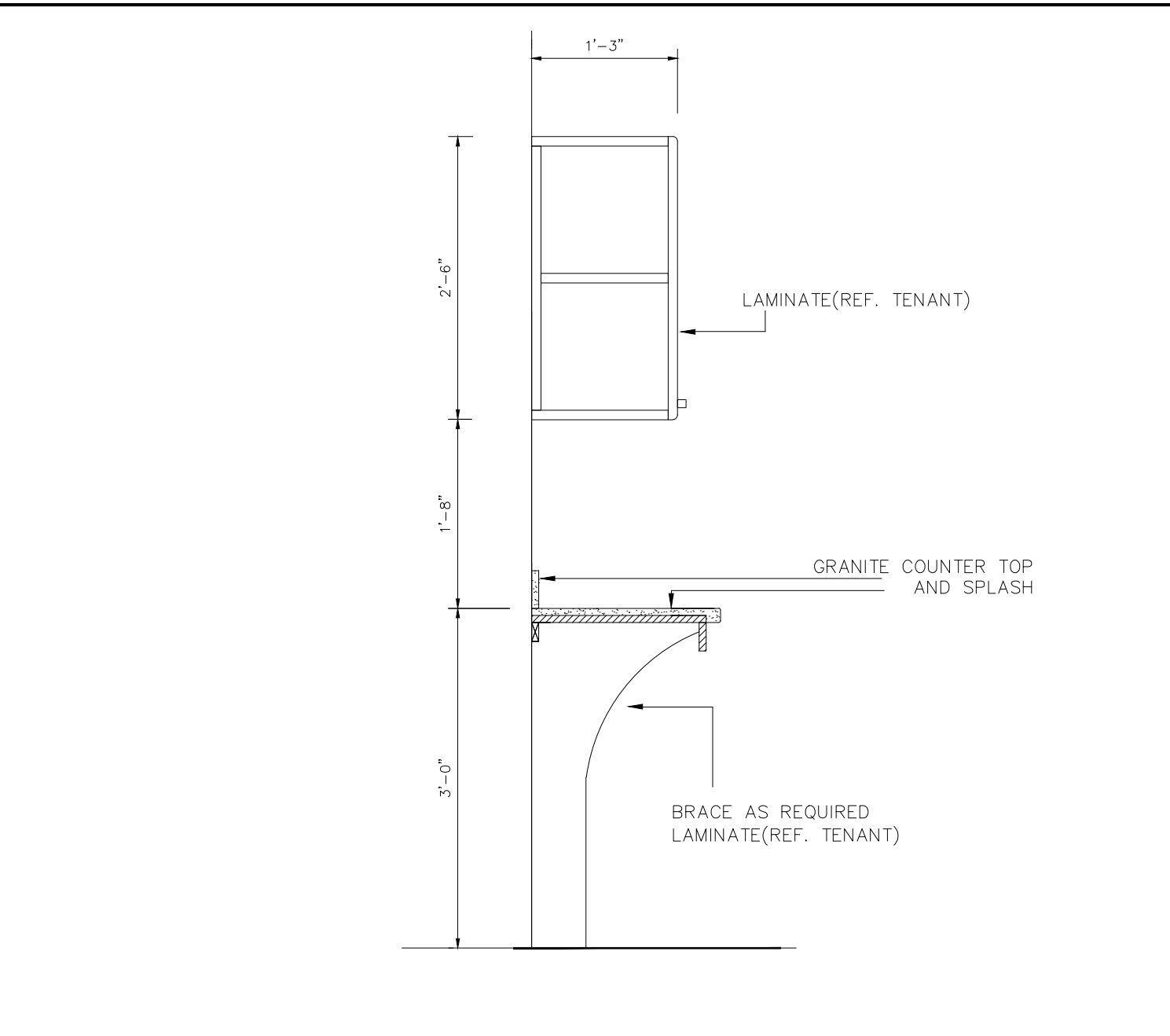
SECTION AT RECEPTION DESK 1/2" = 1'-0" 12



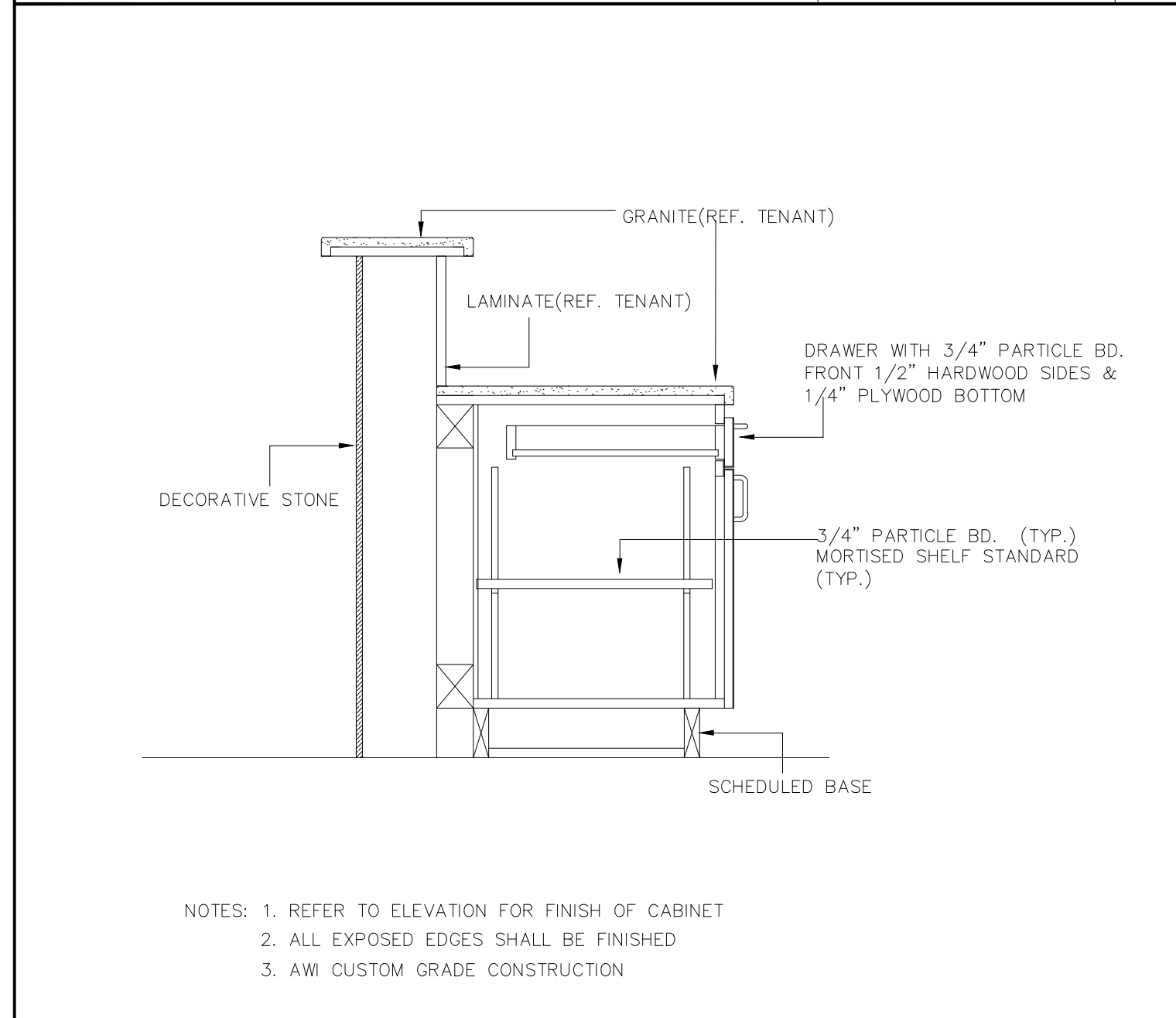
SECTION AT MULTIPURPOSE ROOM CAB. 1/2" = 1'-0" 09



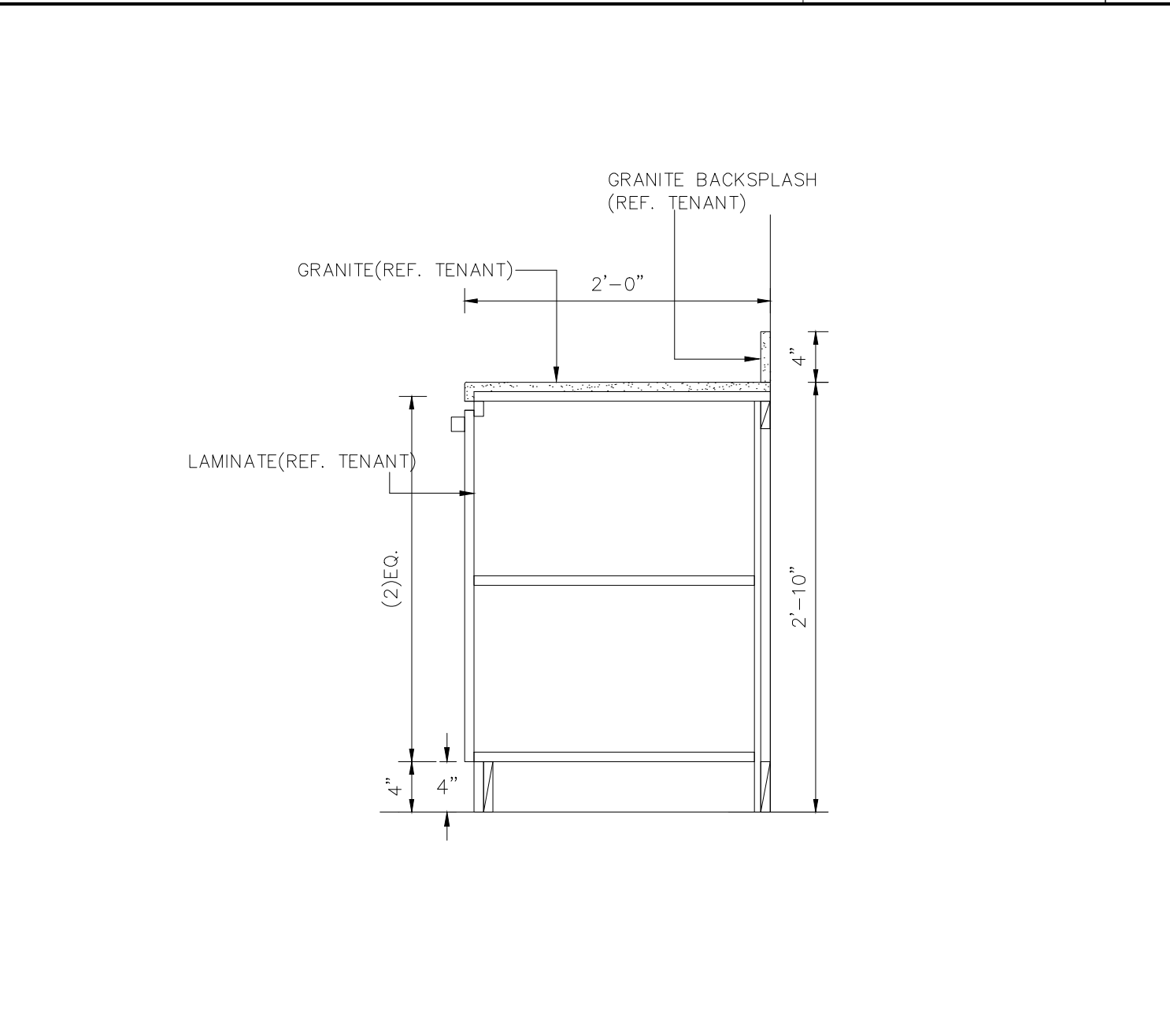
SECTIONS OF TEACHERS CABINET 1/2" = 1'-0" 06



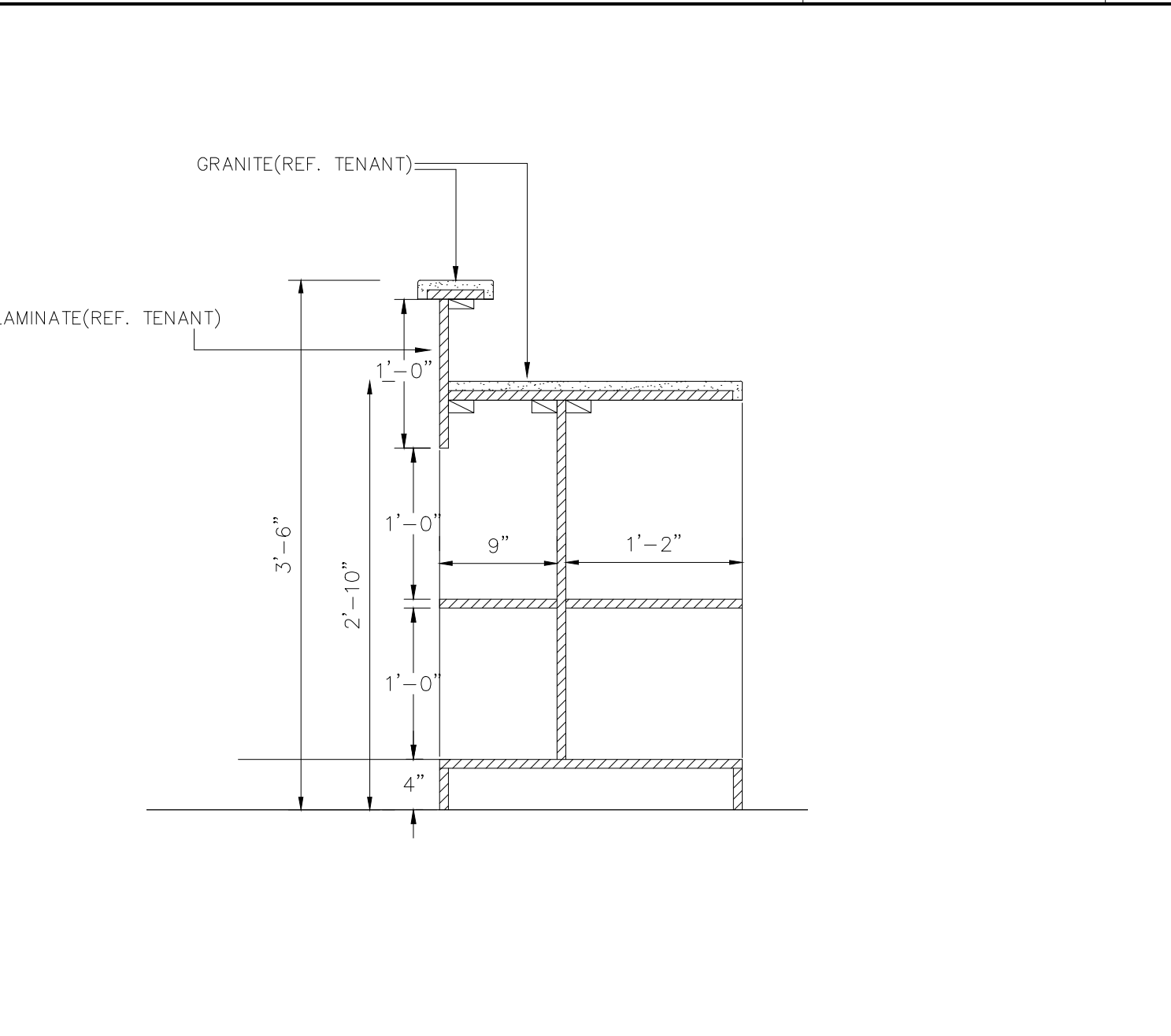
SECTIONS OF TEACHERS CABINET 1/2" = 1'-0" 03



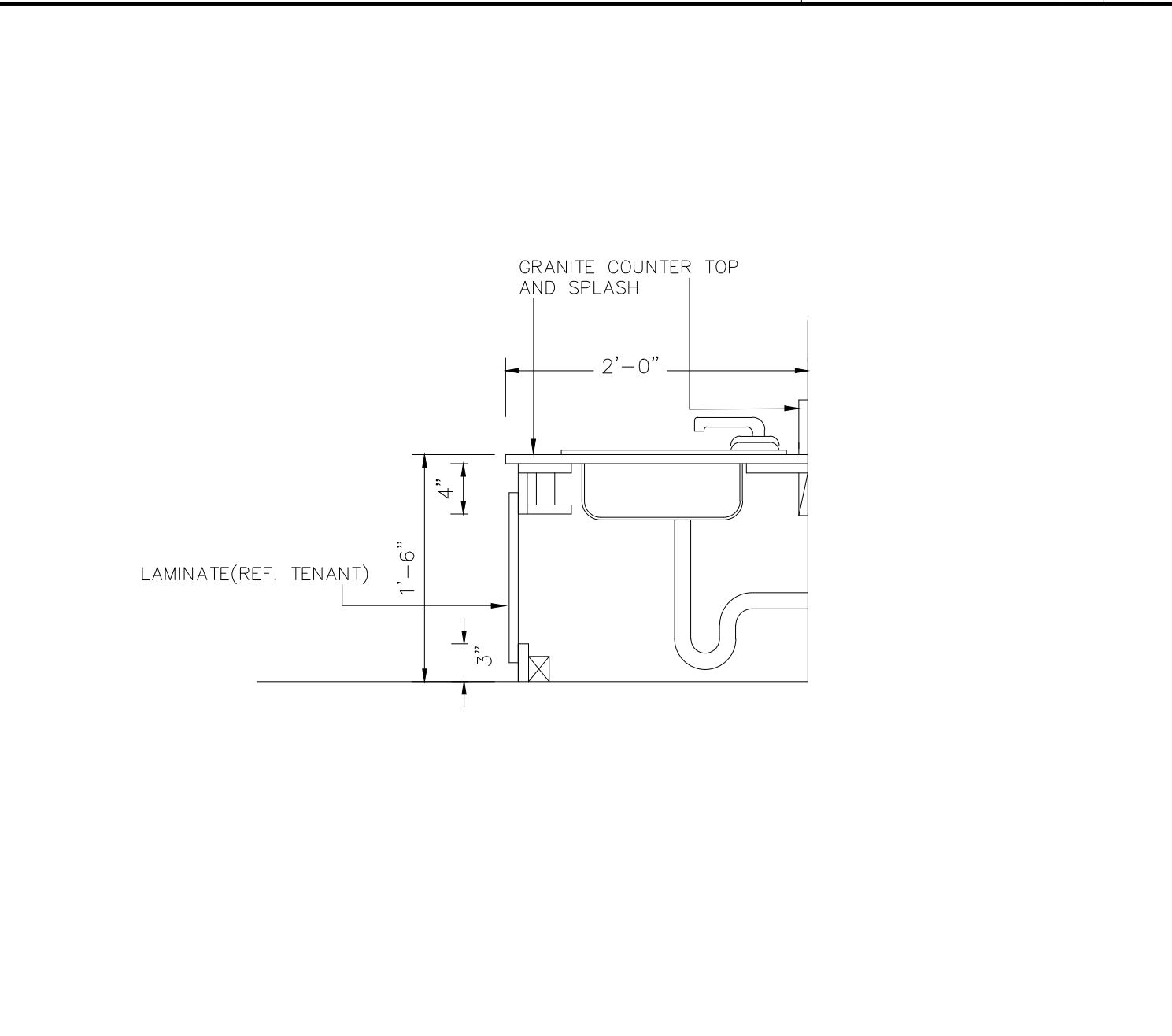
SECTION AT RECEPTION DESK W/42 1" = 1'-0" 11



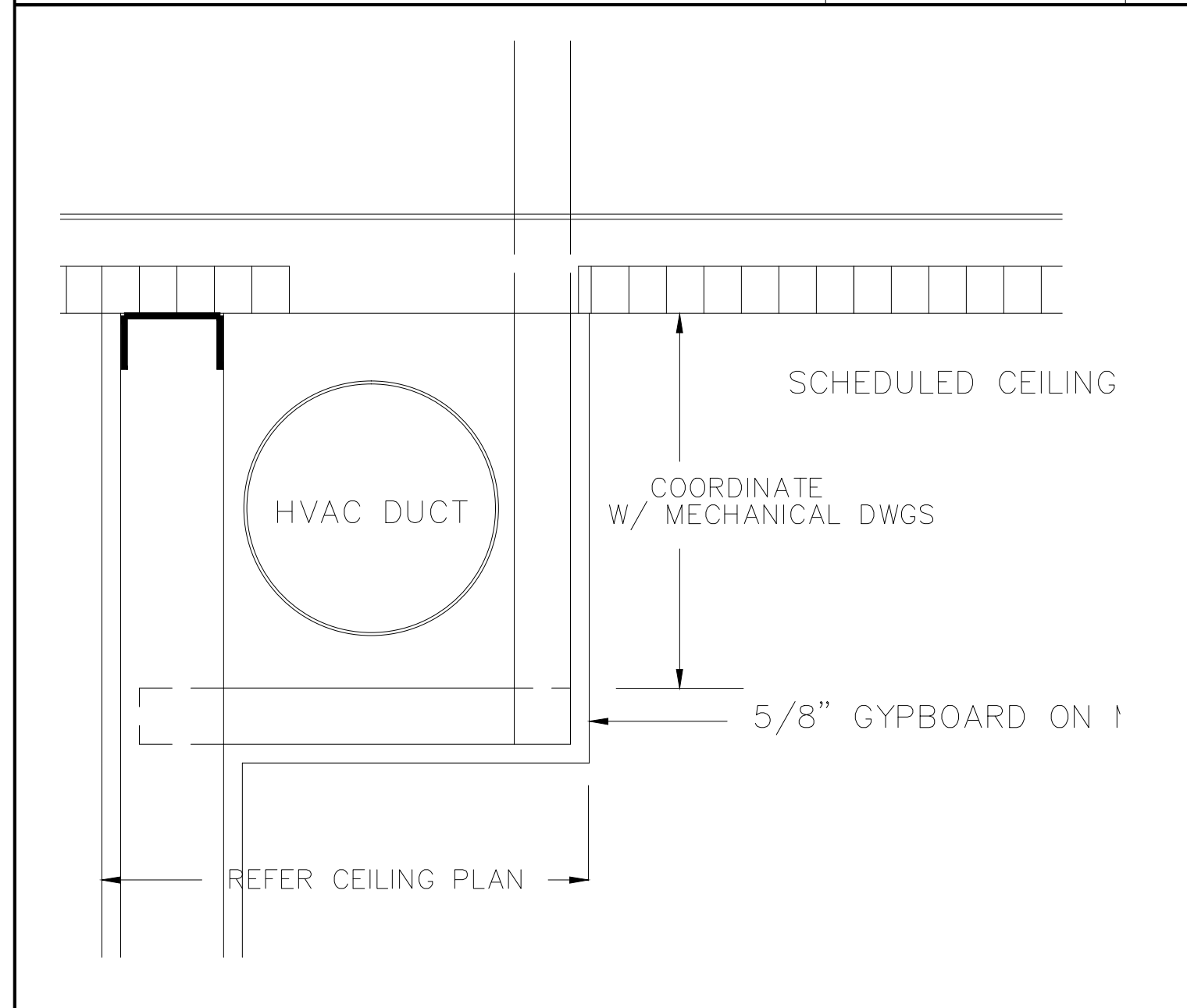
SECTION AT DINING AREA CAB. 1" = 1'-0" 08



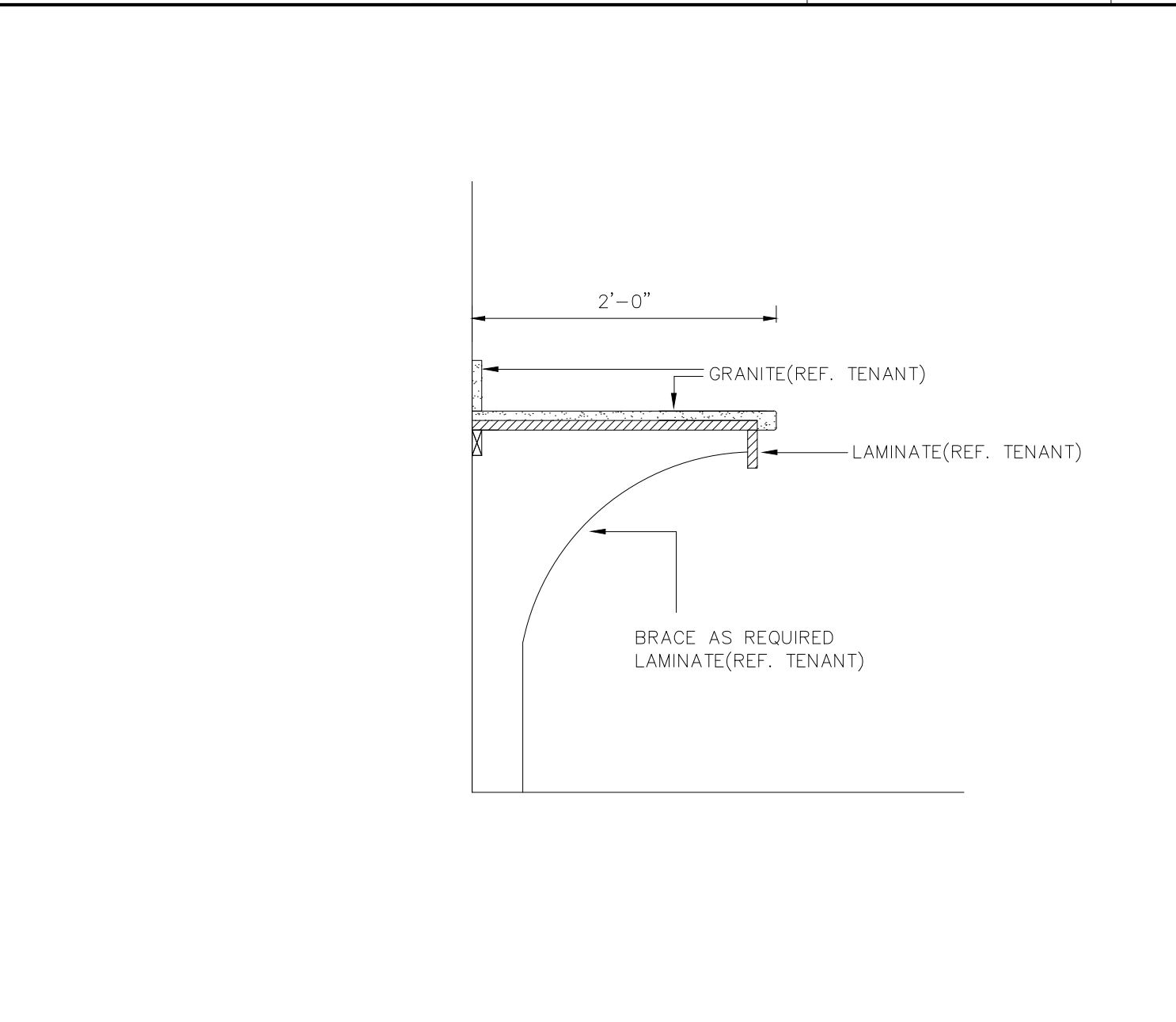
SECTIONS OF DIAPER STATION 1" = 1'-0" 05



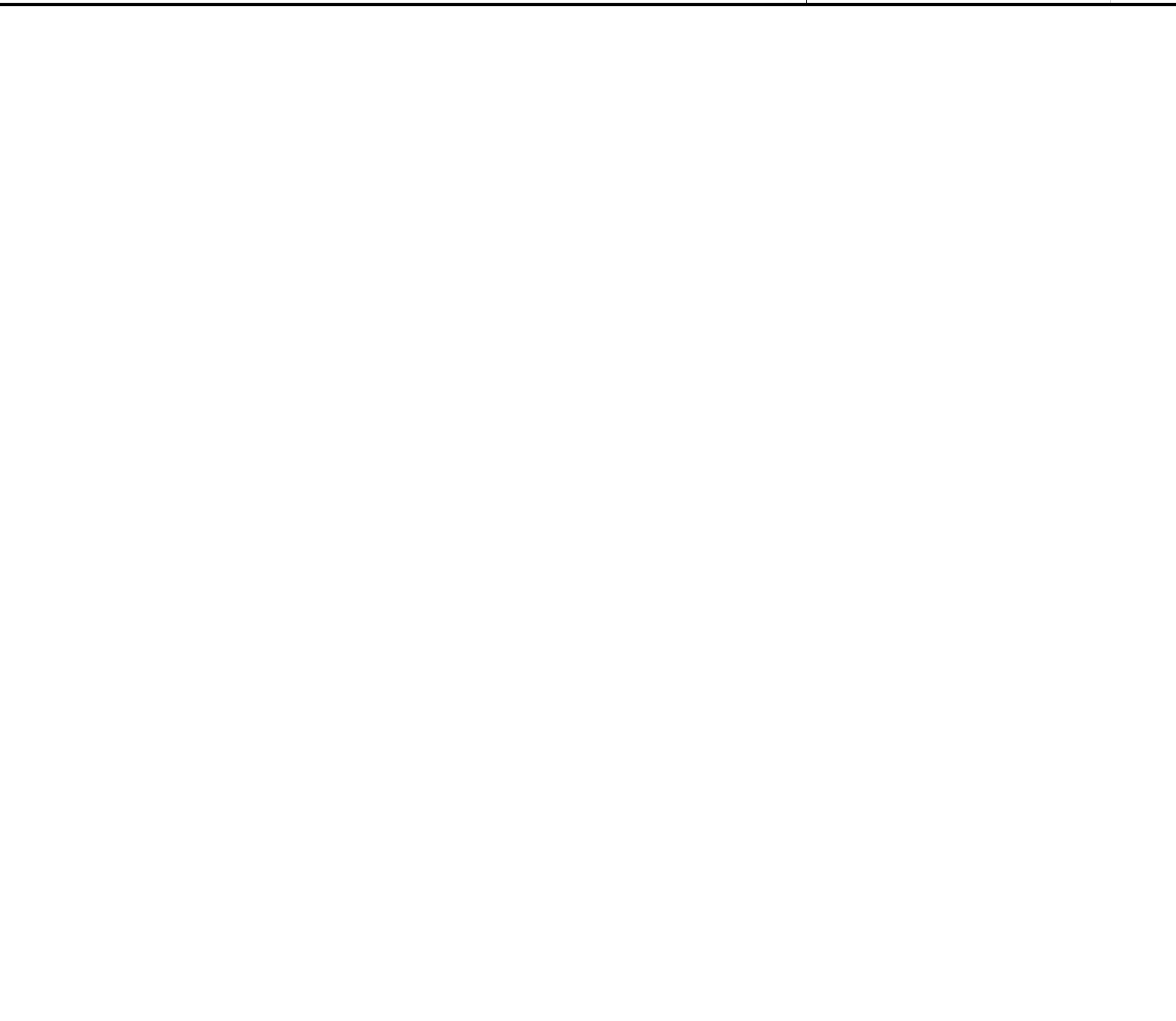
SECTION AT PRIMARY CLASSROOM CABINET 1" = 1'-0" 02



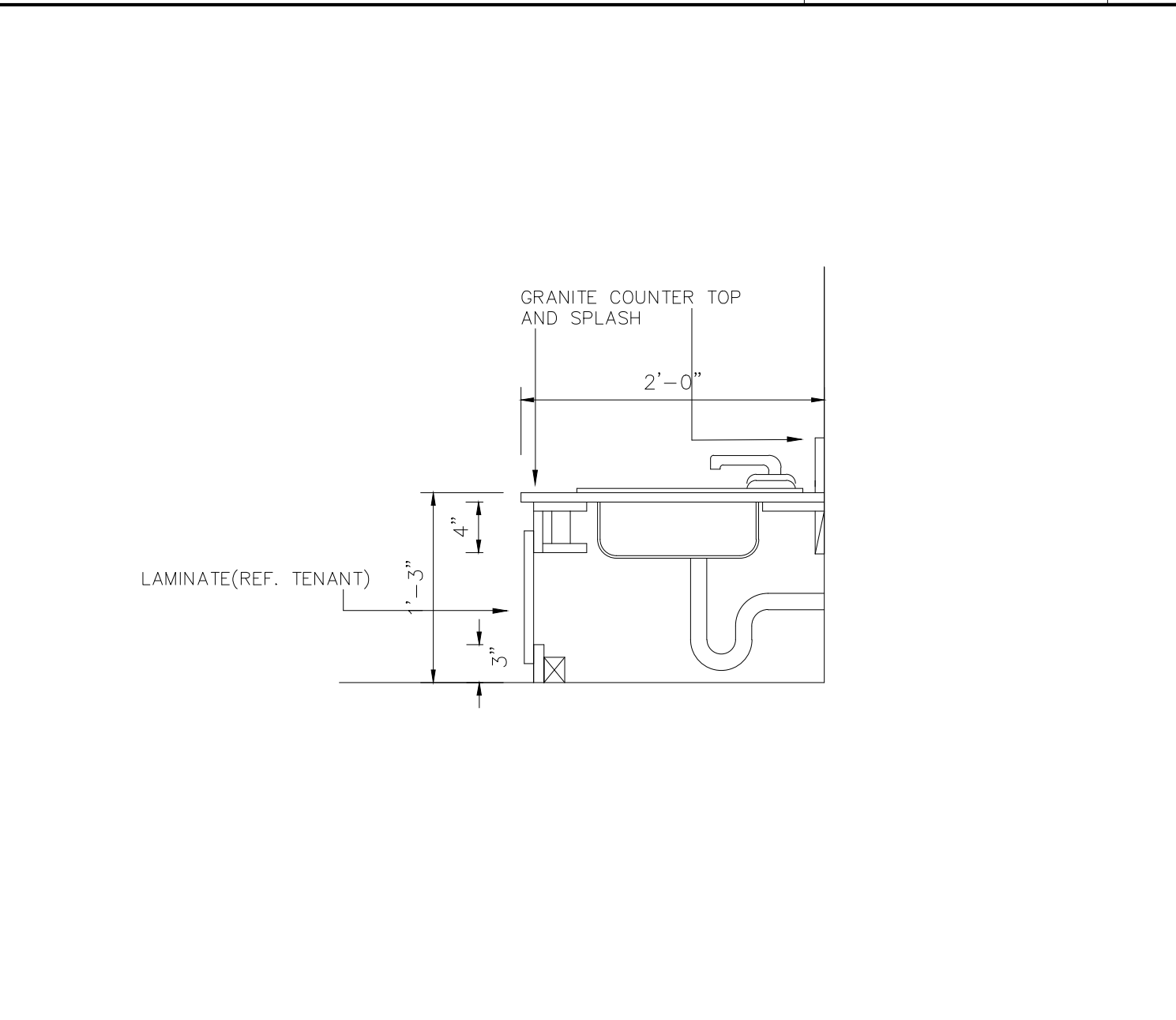
HVAC FURR DOWN DETAIL 1/4" = 1'-0" 10



PC ROOM ELEVATION COUNTER/ CABINETS 1/2" = 1'-0" 07



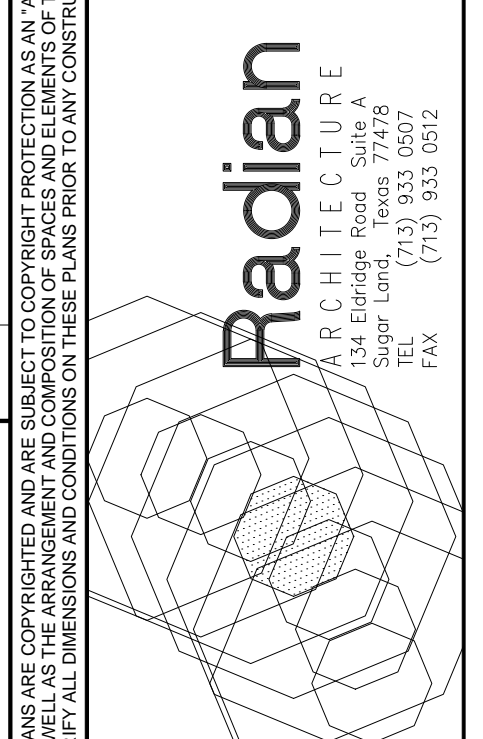
PC ROOM ELEVATION COUNTER/ CABINETS 1/2" = 1'-0" 04



SECTION AT TODDLER CABINET 1" = 1'-0" 01

THE MONTESSORIOM AT BELLA TERRA
23421 FM 1093 RD.
RICHMOND, TX 77406

NO.	DESCRIPTION	DATE
1	FINAL SCHEME	02.01.19
2	REV/FINAL SCHEME	02.07.19
3	CD REVIEW	04.15.19
4	CD ISSUE	06.18.19



6/18/19
REGISTERED ARCHITECT
STATE OF TEXAS
10326

Project No. 1801.74
Date 02/11/19
Drawn by JG
Checked by NL
Sheet No. A-404
MILLWORK DETAILS

THESE PLANS ARE COPYRIGHTED AND ARE SUBJECT TO COPYRIGHT PROTECTION AS AN ARCHITECTURAL WORK. UNDER SECTION 203 OF THE COPYRIGHT ACT, 17 U.S.C. AS AMENDED DECEMBER 1, 1990 AND KNOWN AS THE ARCHITECTURAL COPYRIGHT PROTECTION ACT OF 1990, THE PROTECTION INCLUDES, BUT IS NOT LIMITED TO, THE OVERALL REPRODUCTION OF THESE PLANS IN ANY FORM OR BY ANY MEANS, ELECTRONIC OR MECHANICAL, INCLUDING PHOTOCOPYING, RECORDING, OR BY ANY INFORMATION STORAGE AND RETRIEVAL SYSTEM, WITHOUT THE WRITTEN PERMISSION OF RADIANT ARCHITECTURE, INC. THESE PLANS ARE THE PROPERTY OF RADIANT ARCHITECTURE AND MAY NOT BE COPIED OR REPRODUCED IN ANY MANNER WITHOUT THE WRITTEN PERMISSION OF RADIANT ARCHITECTURE, INC. RADIANT ARCHITECTURE, INC. IS NOT RESPONSIBLE FOR ANY ERRORS OR OMISSIONS IN THESE PLANS OR FOR ANY DAMAGE TO PERSONS OR PROPERTY CAUSED BY THE USE OF THESE PLANS.