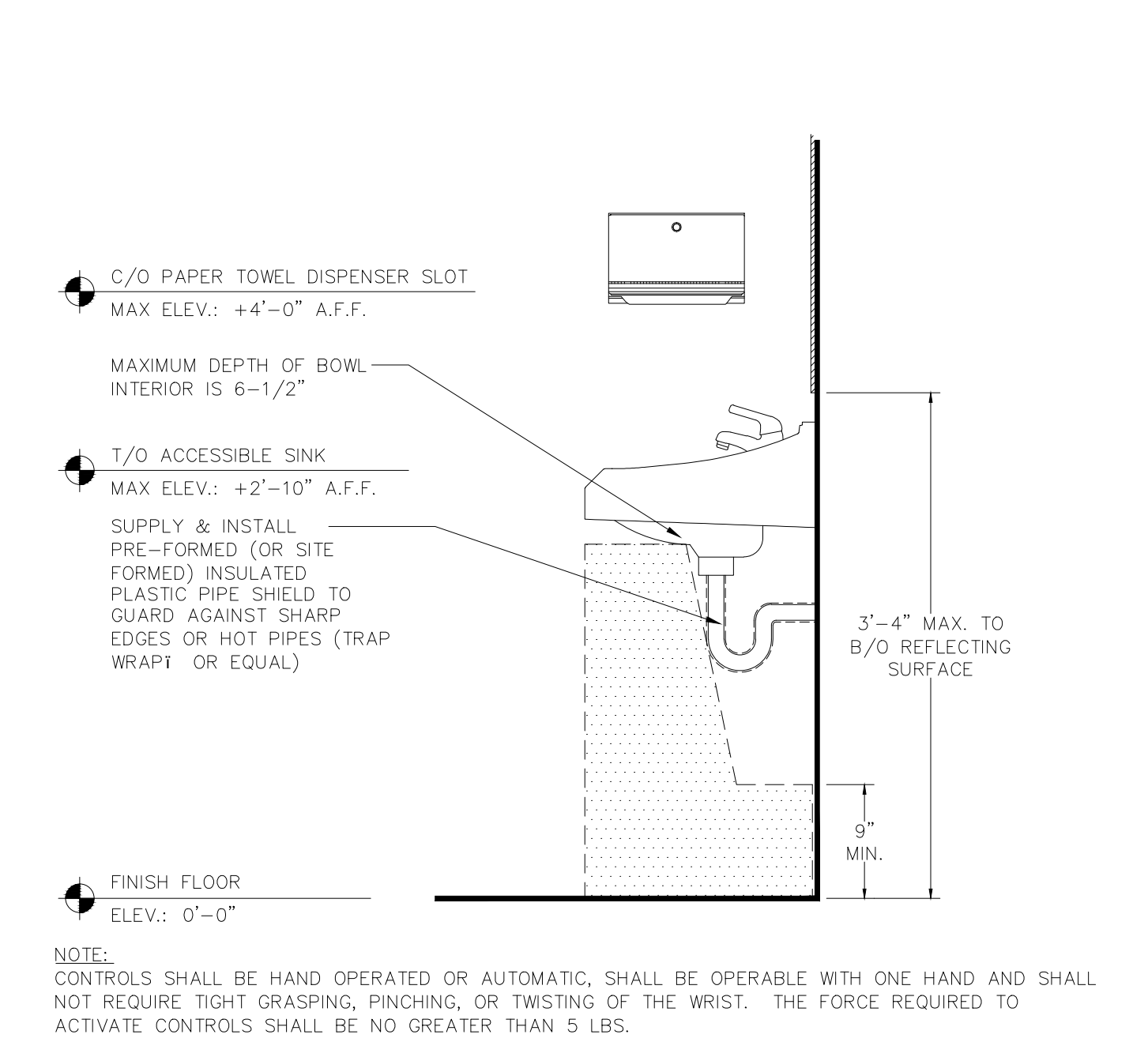


DETAILS ABOVE ARE NOT TO SCALE AND OBTAINED FROM THE MANUFACTURER, BOBRICK WASHROOM EQUIPMENT, INC. TO ILLUSTRATE REQUIRED BRACING, HARDWARE AND STRUCTURAL SUPPORT FOR THE PROPER INSTALLATION OF 1-1/4" DIA. STAINLESS STEEL GRAB BARS (BOBRICK MODEL B-5806 OR EQUAL IN 36" & 42" LENGTHS). THE CONTRACTOR MUST ADHERE TO THIS INSTALLATION DETAIL AND RECOMMENDATIONS BELOW. IF THE CONTRACTOR WISHES TO VARY FROM THIS DETAIL, THEY MUST PROVIDE AN ALTERNATE DETAIL DESIGNED AND SIGNED/SEALED BY A STRUCTURAL ENGINEER.

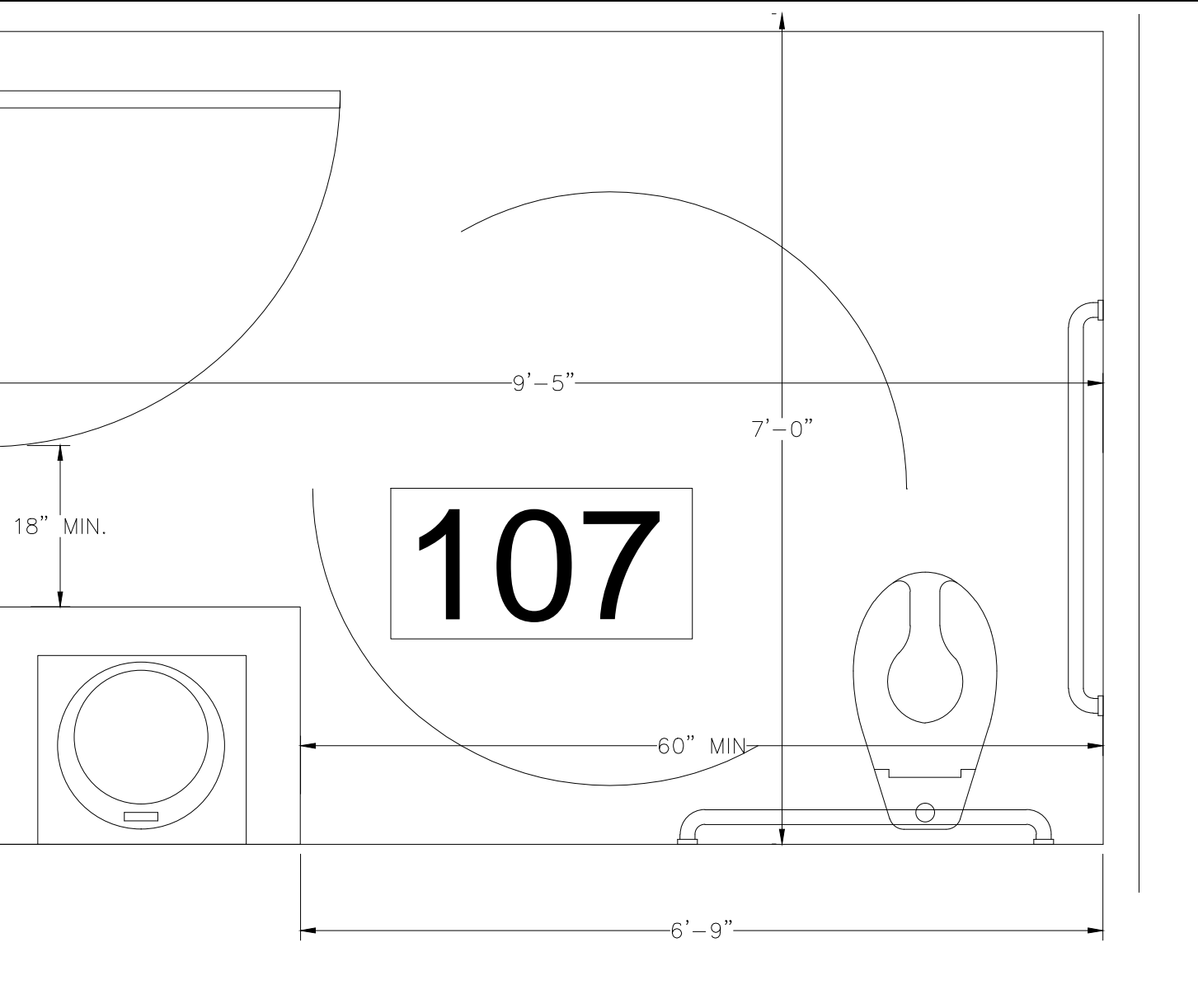
SAFETY WARNING: GRAB BARS ARE NO STRONGER THAN THE ANCHORS AND WALLS TO WHICH THEY ARE ATTACHED AND, THEREFORE, MUST BE FIRMLY SECURED IN ORDER TO SUPPORT THE LOADS FOR WHICH THEY ARE INTENDED. TO AVOID POTENTIAL INJURY, THE BUILDING OWNER OR MAINTENANCE PERSONNEL SHOULD REMOVE THE GRAB BAR FROM SERVICE IF THE GRAB BAR IS NOT ADEQUATELY SECURED TO WALL OR IF THERE IS ANY OBSERVED DAMAGE TO THE WELDS.

RECOMMENDED INSTALLATION: PROVIDE CONCEALED ANCHOR DEVICE OR BACKING AS SPECIFIED OR REQUIRED IN ACCORDANCE WITH LOCAL BUILDING CODES BEFORE WALL IS FINISHED. FASTEN CONCEALED MOUNTING FLANGES OR ANCHOR DEVICE WITH TWO SCREWS IN EACH FLANGE. SNAP FLANGE COVERS OVER EACH MOUNTING FLANGE TO CONCEAL MOUNTING SCREWS. CONCEALED ANCHOR DEVICES AND MOUNTING SCREWS ARE NOT INCLUDED WITH BOBRICK GRAB BARS AND MUST BE SPECIFIED AS AN ACCESSORY. FOR GRAB BARS WITH AN INTERMEDIATE FLANGE(S), PULL SNAP-FLANGE COVERS AWAY FROM MOUNTING FLANGES. PLACE GRAB BAR IN DESIRED MOUNTING LOCATION. USE INTERMEDIATE FLANGE AS A TEMPLATE TO MARK LOCATION OF MOUNTING SCREWS AT INTERMEDIATE FLANGE ONLY. MARK SCREW LOCATIONS AT THE CENTER OF THE SLOT IN THE DOUBLE-KEYHOLE SHAPED MOUNTING HOLES (2) IN THE INTERMEDIATE FLANGE. REMOVE GRAB BAR FROM WALL. DRIVE THE INTERMEDIATE FLANGE MOUNTING SCREWS INTO WALL AT MARKED LOCATIONS. NOTE: MAKE SURE TO LEAVE A SPACE OF JUST OVER 1/8" BETWEEN THE UNDERSIDE OF THE SCREW HEAD AND THE WALL. INSTALL THE GRAB BAR ON THE WALL BY PLACING THE ROUND ENDS OF THE INTERMEDIATE FLANGE DOUBLE-KEYHOLE SHAPED MOUNTING HOLES OVER THE MOUNTING SCREWS (2) ARE LOCATED IN THE MIDDLE OF THE FLANGE SLOTS. INSTALL THE MOUNTING SCREWS INTO THE WALL AT THE END FLANGES AND SECURE TIGHTLY. TIGHTEN THE MOUNTING SCREWS AT THE INTERMEDIATE FLANGE. PRESS ALL SNAP-FLANGE COVERS INTO PLACE TO CONCEAL MOUNTING FLANGES.

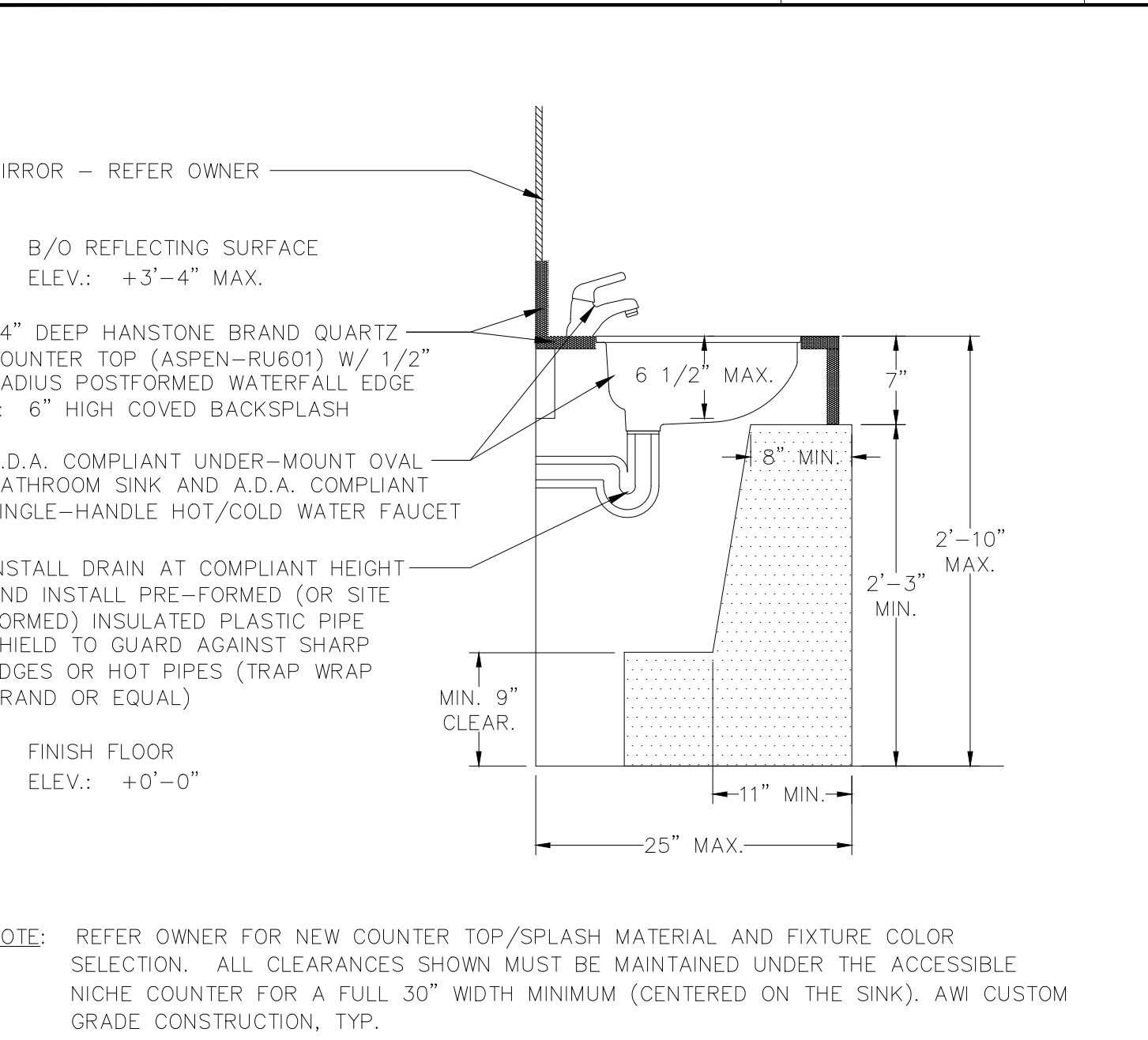
NOTE: RECOMMENDED USE OF 1/4" OR #14 SHEET METAL OR WOOD SCREWS TO INSTALL INTERMEDIATE FLANGE. #12 SCREWS MAY ALSO BE USED. BOBRICK OFFERS A GRAB BAR FASTENING SYSTEM THAT SECURES ALL BOBRICK GRAB BAR SERIES; ONE BOBRICK FASTENER IS REQUIRED FOR EACH FLANGE. INSTALL GRAB BAR WITHOUT BACKING IN WALL REQUIRES MINIMUM 5/8" THICK PAINTED OR TILED DRYWALL. GRAB BARS AND ALL CONNECTORS SHALL BE ABLE TO WITHSTAND 250 LB LOAD AND SHOULD NOT ROTATE IN THEIR FITTINGS.



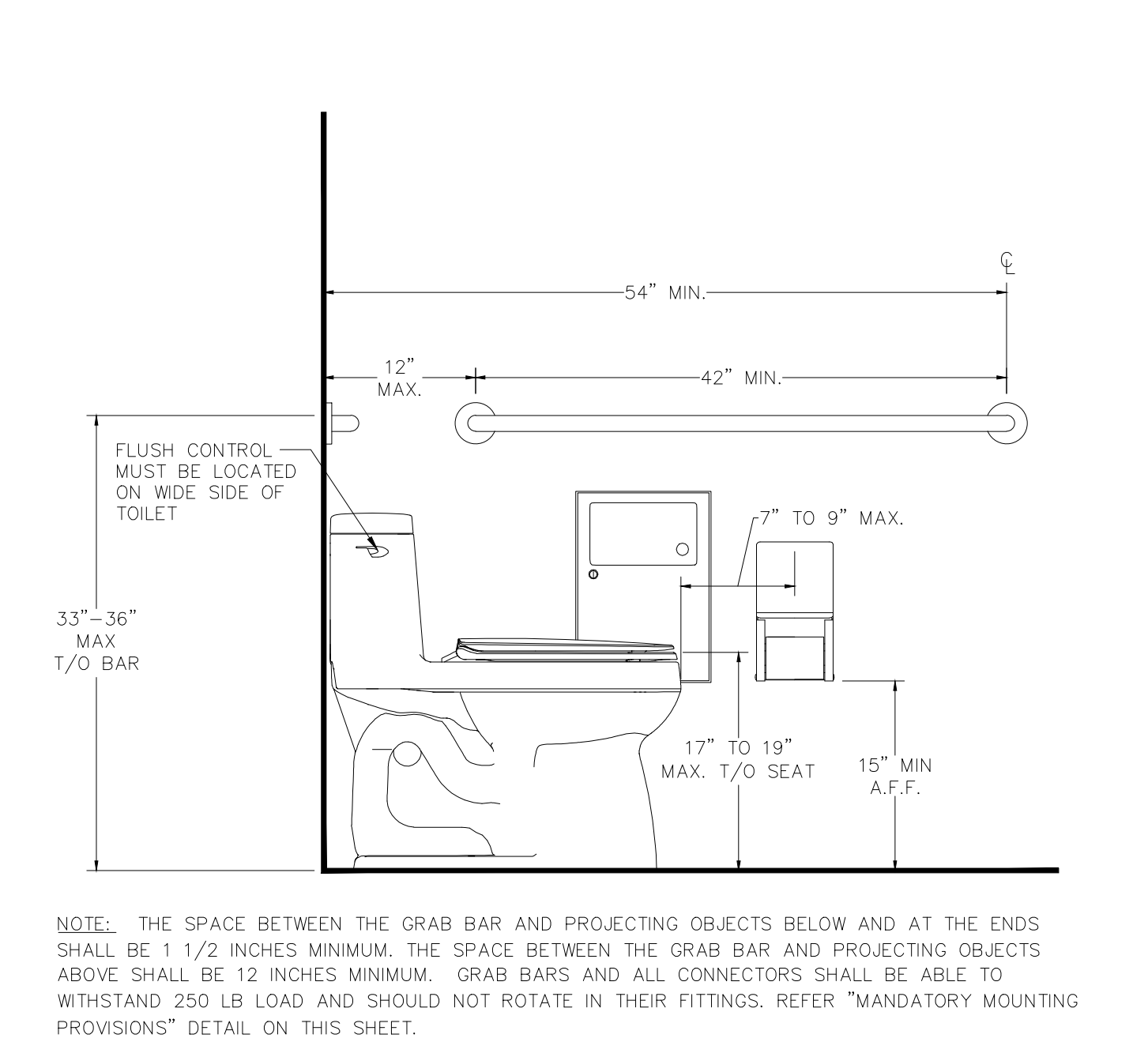
ACCESSIBLE WALL HUNG SINK CLEARANCES 1" = 1'-0" 09



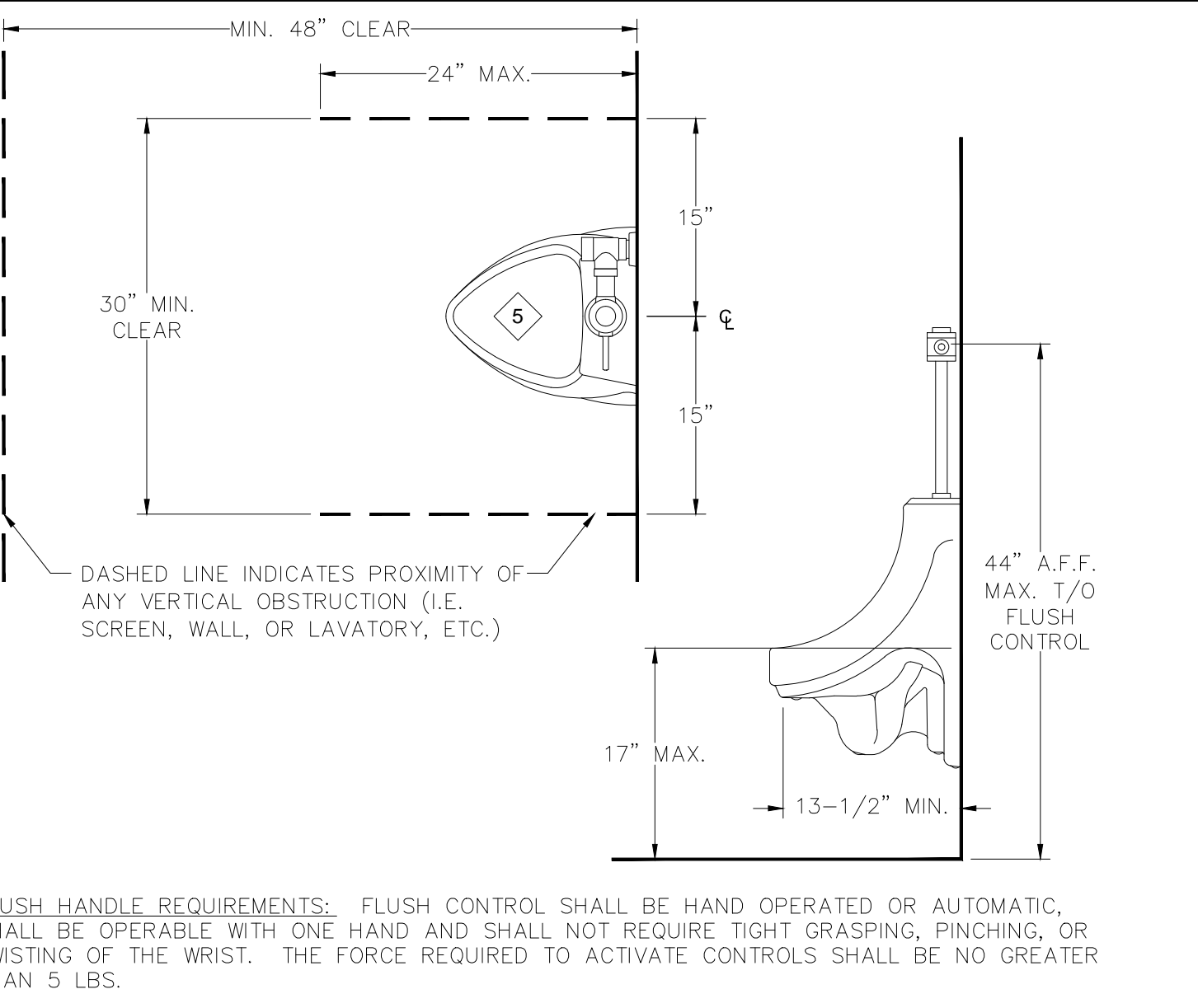
MANDATORY BAR MOUNTING PROVISIONS 1" = 1'-0" 11



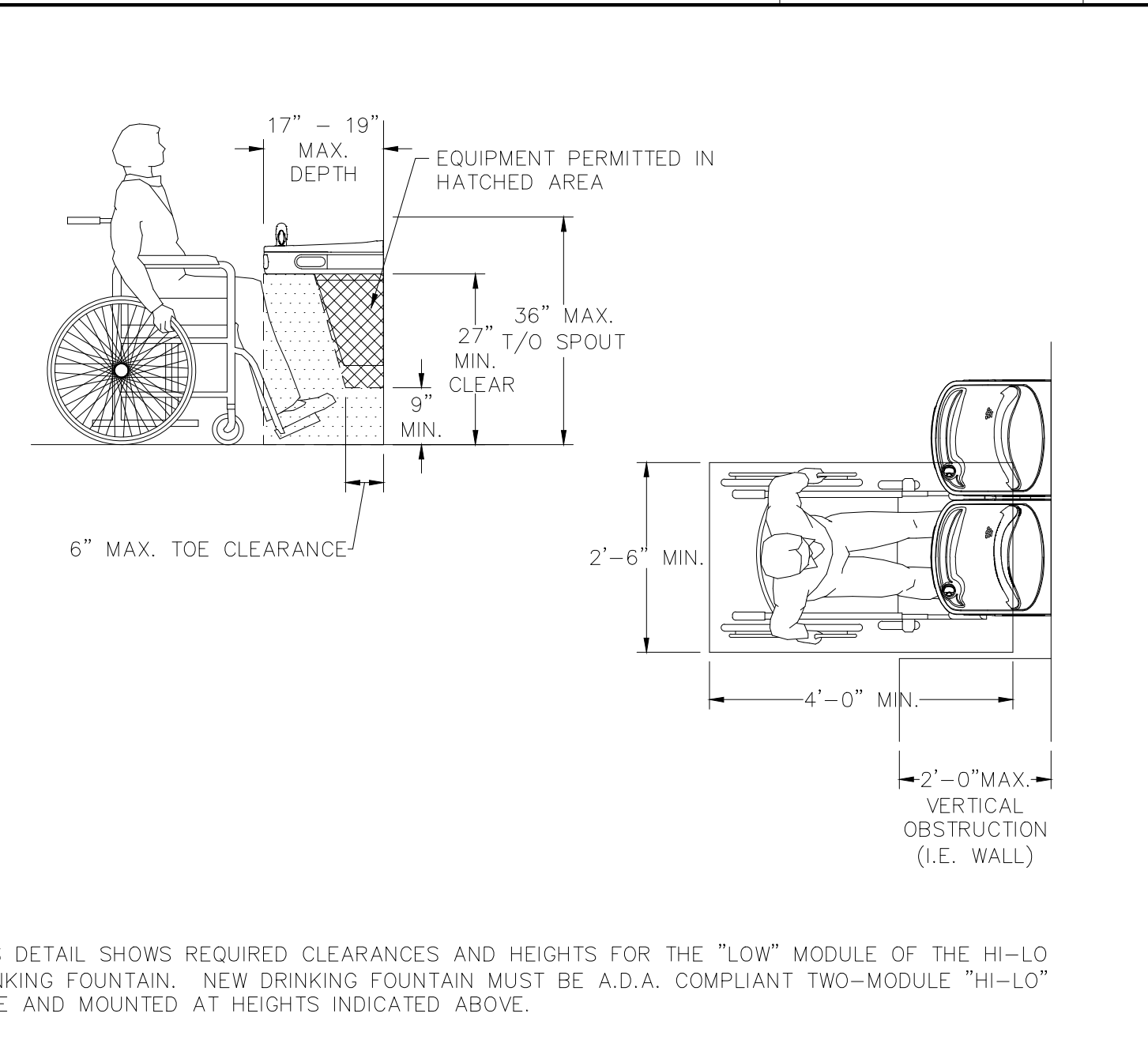
ACCESSIBLE LAVATORY CLEARANCES 1" = 1'-0" 07



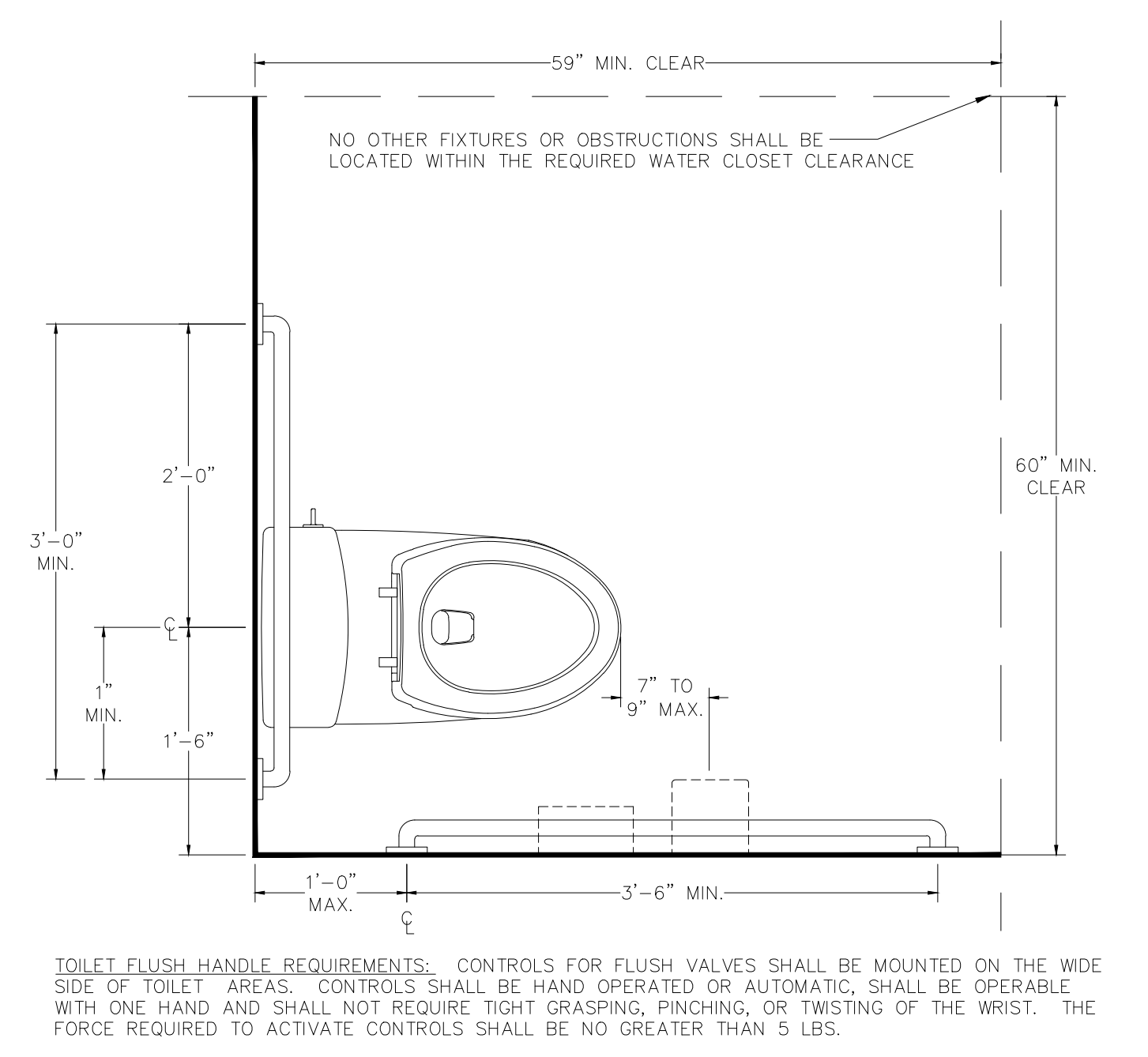
FLOOR MOUNTED TOILET CLEARANCES 1" = 1'-0" 06



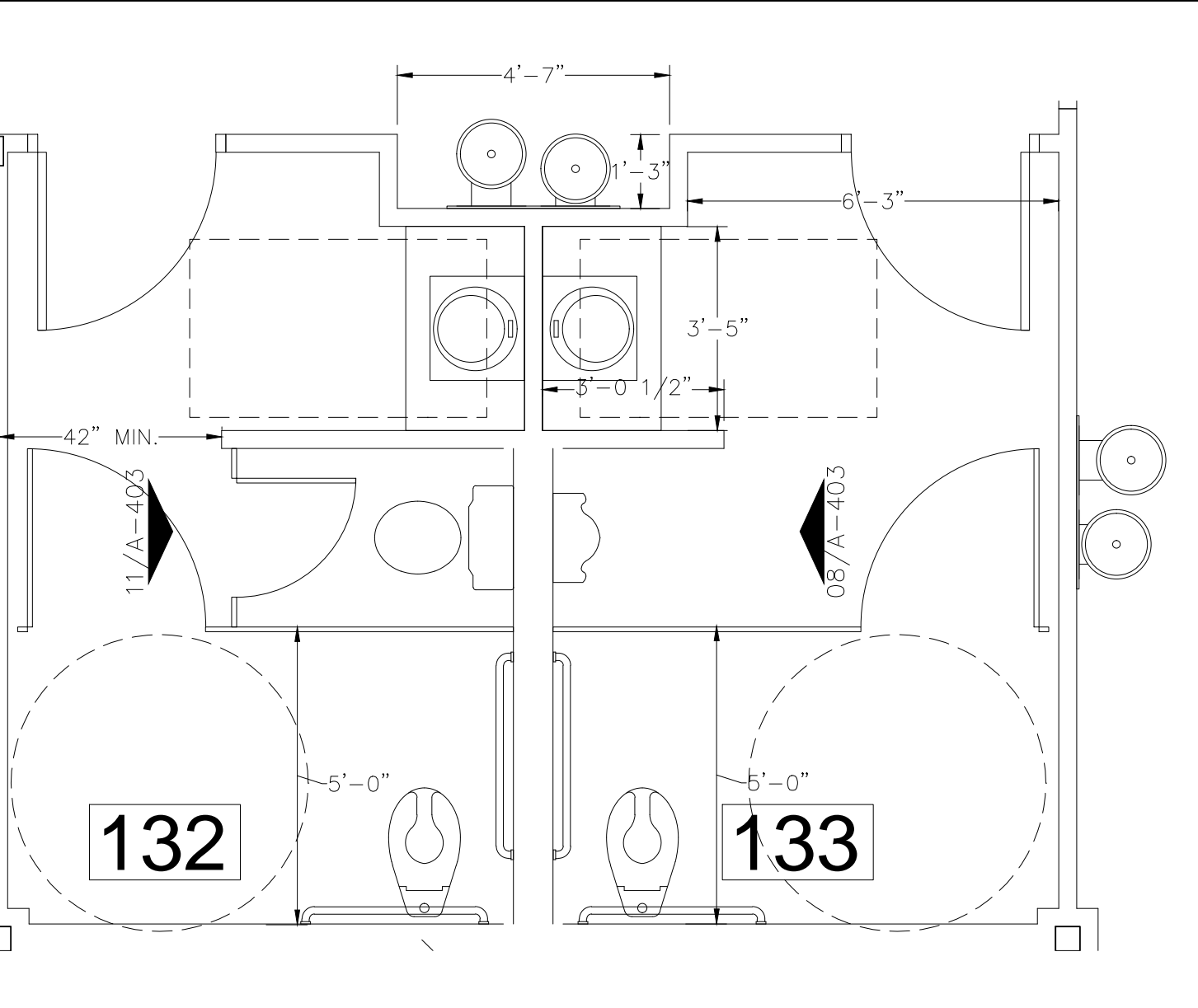
ACCESSIBLE URINAL CLEARANCES 1" = 1'-0" 05



HI-LOW ACCESSIBLE DRINKING FOUNTAIN 1" = 1'-0" 04



SINGLE FLOOR MOUNTED TOILET 1" = 1'-0" 03



RESTROOM DETAIL ROOM 107 3/8" = 1'-0" 02

ACCESSIBLE LAVATORY CLEARANCES 1" = 1'-0" 10

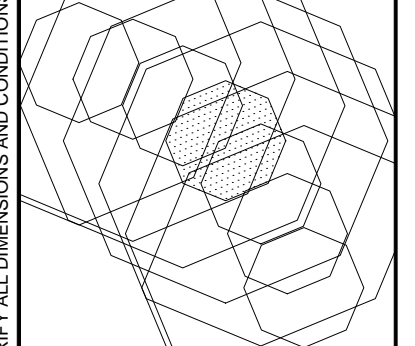
- (A) NEW GRAB BAR - 1-1/4" TO 1-1/2" DIA. x 36" LONG, ANCHORED TO RESIST BENDING MOMENT FROM THE APPLICATION OF 250 LB/FT. SET AT 33"-36" A.F.F. TO THE CENTER OF THE BAR DIAMETER. THIS RESTROOM HAS SOME EXISTING GRAB BARS BUT THOSE BARS CAN BE RE-USED ONLY IF THEY CAN BE INSTALLED IF THEY CAN BE INSTALLED WITH HEIGHTS, LENGTHS AND SUPPORT STRENGTH AS SHOWN IN DETAILS 10 & 11 THIS SHEET.
- (B) NEW GRAB BAR - 1-1/4" TO 1-1/2" DIA. x 42" LONG, ANCHORED TO RESIST BENDING MOMENT FROM THE APPLICATION OF 250 LB/FT. MOUNT BAR FROM 33"-36" A.F.F. TO THE CENTER OF THE BAR DIAMETER. THIS RESTROOM HAS SOME EXISTING GRAB BARS BUT THOSE BARS CAN BE RE-USED ONLY IF THEY CAN BE INSTALLED IF THEY CAN BE INSTALLED WITH HEIGHTS, LENGTHS AND SUPPORT STRENGTH AS SHOWN IN DETAILS 10 & 11 THIS SHEET.
- (C) NEW WALL HUNG SINK AND HARDWARE (WITH HOT AND COLD WATER). PROVIDE A.D.A. CLEARANCES SHOWN AS PER DETAILS ON THIS SHEET.
- (D) NEW WALL MOUNTED MIRROR. REFER DETAIL IN THIS SHEET FOR REQUIRED A.D.A. CLEARANCE.
- (E) TOILET PAPER HOLDER. MOUNT AS PER DETAILS ON THIS SHEET.
- (F) NEW A.D.A. APPROVED TOILET. REFER A.D.A. DETAILS IN THIS SHEET.
- (G) PAPER TOWEL HOLDER. MOUNT AS PER DETAILS ON THIS SHEET.
- (H) THE CONTRACTOR WILL SUPPLY/INSTALL NEW A.D.A. COMPLIANT COUNTER AS SPECIFIED, AND ACCESSIBLE UNDER-MOUNT SINKS WITH HOT/COLD FAUCETS. THE CONTRACTOR WILL INSTALL THE COUNTER SO THAT THE FRONT OF THE HIGHER OF THE RIM OR COUNTER SURFACE IS 34" MAXIMUM ABOVE THE FINISH FLOOR. THE CONTRACTOR WILL INSULATE WATER SUPPLY AND DRAIN PIPES UNDER LAVATORY AND SINKS TO PROTECT AGAINST CONTACT. THERE SHALL BE NO SHARP OR ABRASIVE SURFACES UNDER LAVATORIES AND SINKS. REFER TO PLAN DETAIL SHEET 'ARX' FOR FURTHER INFORMATION.

RESTROOM FIXTURES AND ACCESSORIES 01

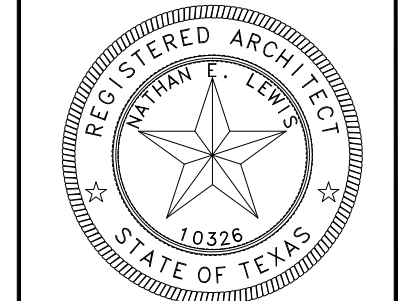
THE MONTESSORIUM AT BELLA TERRA
23421 FM 1093 RD.
RICHMOND, TX 77406

NO.	DESCRIPTION	DATE
1	FINAL SCHEME	02.01.19
2	REV FINAL SCHEME	02.07.19
3	CD REVIEW	04.15.19
4	CD ISSUE	06.18.19

Radian
ARCHITECTURE
134 Eldridge Road • Suite 100
Sugar Land, Texas 77478
PH: (281) 270-0000
FAX: (713) 933-0012



6/18/19



Project No. 1801.74
Date 02/11/19
Drawn by JG
Checked by NL

Sheet No.
A-405
MILLWORK DETAILS

THESE DRAWINGS ARE THE PROPERTY OF RADIAN ARCHITECTURE AND MAY NOT BE REPRODUCED, COPIED, OR TRANSMITTED IN ANY FORM OR BY ANY MEANS, ELECTRONIC OR MECHANICAL, WITHOUT THE WRITTEN PERMISSION OF RADIAN ARCHITECTURE. THE ELDREDGE ROAD OFFICE IS LOCATED AT 134 ELDREDGE ROAD, SUGAR LAND, TEXAS 77478. TEL: (281) 270-0000. FAX: (713) 933-0012.