

F:\Data\2018\18006 - Bella Terra Montessori School\Drawings\18006MASTER.dwg May 21, 2018 1:13:54 PM Rudy De Hoyos

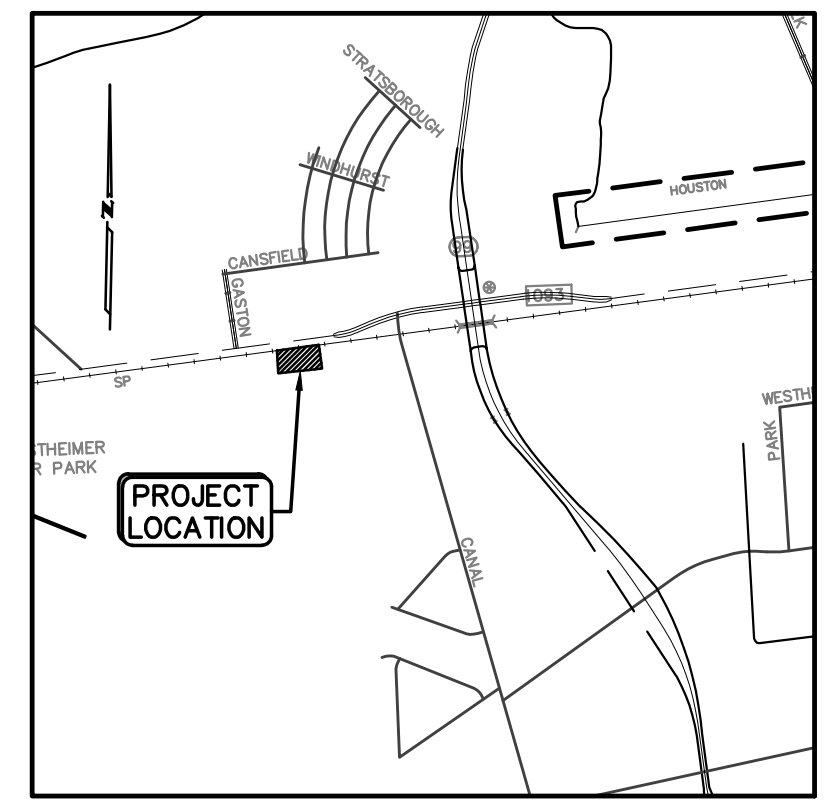
THIS DOCUMENT AND RELATED DETAILS REMAIN THE PROPERTY OF LENTZ ENGINEERING, LLC. THIS DOCUMENT IS NOT TO BE SOLD, COPIED, OR REPRODUCED WHOLE OR IN PART, WITHOUT THE CONSENT OF LENTZ ENGINEERING, LLC.

CURVE TABLE					
CURVE	LENGTH	RADIUS	DELTA	CHORD BEARING	CHORD DISTANCE
C1	75.70	90.00	48°11'23"	N17°07'33"E	73.48
C2	46.19	30.00	88°12'57"	N37°08'20"E	41.76
C3	190.02	6524.00	1°40'08"	N80°24'45"E	190.01

LINE TABLE		
LINE	LENGTH	BEARING
L1	35.08	N06°58'09"W

BENCHMARK ELEV. 112.26'
 FORT BEND COUNTY MARKER No. 302 A BRASS DISK IN CONCRETE ON INLET AT THE SOUTHWEST CORNER OF THE INTERSECTION OF KATY GASTON ROAD AND BELLA DRIVE
 ELEV.=112.26 FEET NAVD 88, 2001 ADJUSTMENT
 ELEVATIONS SHOWN ARE 2001 ADJUSTMENT.

FLOOD STATEMENT
 PROPERTY LIES WITHIN FLOOD ZONE "X". ACCORDING TO F.I.R.M. MAP No. 48157C 0118, DATED 04/02/14, BY GRAPHING PLOTTING ONLY, WE DO NOT ASSUME RESPONSIBILITY FOR EXACT DETERMINATION. BEFORE ANY DEVELOPMENT PLANNING, DESIGN, OR CONSTRUCTION IS STARTED, THE COMMUNITY, CITY AND COUNTY IN WHICH SUBJECT TRACT EXISTS SHOULD BE CONTACTED, SAID ENTITIES MAY IMPOSE LARGER FLOOD PLAIN AND FLOODWAY AREAS THAN SHOWN BY F.I.R.M. MAPS THAT WILL AFFECT DEVELOPMENT.



VICINITY MAP
 SCALE: 1" = 1/2 MI.
 KEY MAP : 525E

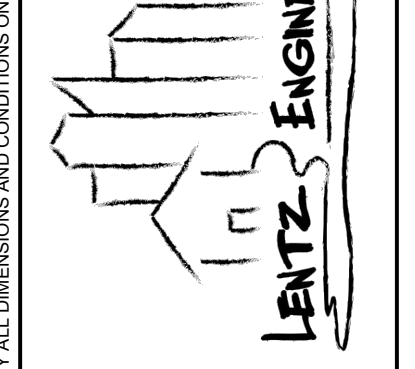
LEGEND

EXISTING		ELEVATION
X 68.0		TOP OF CURB
X TC 68.10		GUTTER
X G 67.75		RIM
rim 68.85		FLOWLINE
rim 65.30		MANHOLE
●		CLEAN OUT
○		POWER POLE
○		DOWN GUY
○		FIRE HYDRANT
○		WATER VALVE
○		WATER METER
○		STREET SIGN
○		AREA LIGHT
○		TELEPHONE ENCLOSURE
○		GAS METER
○		CHAIN LINK FENCE
○		BARBED WIRE FENCE
○		WOOD FENCE
PROPOSED		FINISH FLOOR
FF		FLOWLINE
FL		FINISHED GRADE
FG		TOP OF WALK
TW		TOP OF RAMP
RCP		REINFORCED CONCRETE PIPE
TC		TOP OF CURB
G		GUTTER
TP		TOP OF PAYMENT
→		STORM SEWER
→		DIRECTION OF FLOW
→		GRADE BREAK
○		TYPE 'A' INLET
○		STORM SEWER MANHOLE
○		DRAINAGE AREA NUMBER
○		DRAINAGE AREA ACRES

SCALE: 1" = 20'

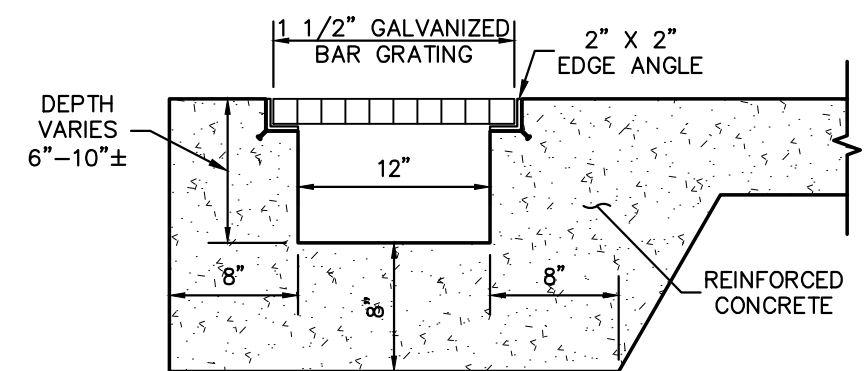
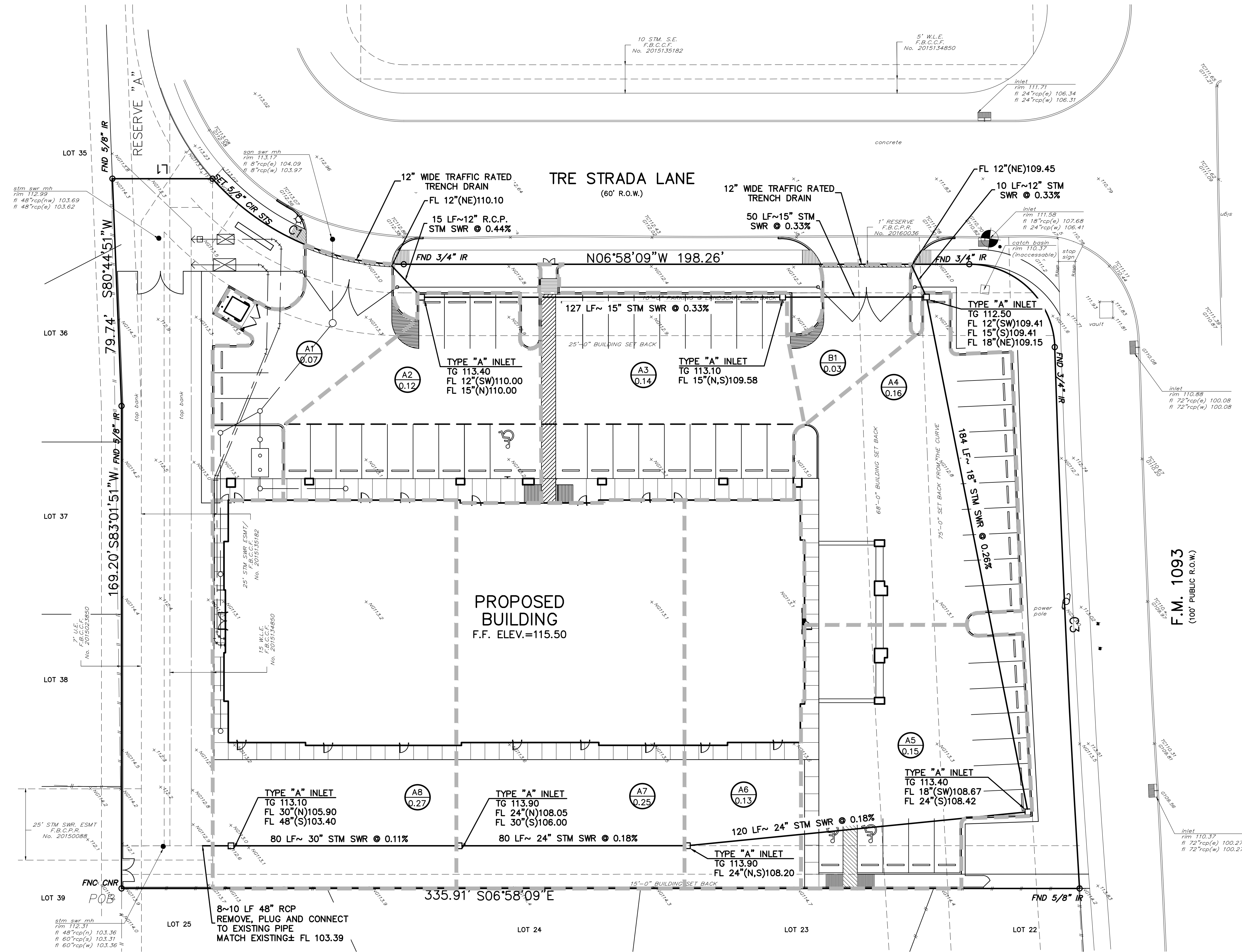
NO.	DESCRIPTION	DATE
1	FINAL SCHEME	02.01.19
2	REV FINAL SCHEME	02.07.19
3	CD REVIEW	04.15.19

5800 WEST LOOP SOUTH, SUITE 200
 BELLAIRE, TEXAS 77401
 TEL: 713.838.9300
 FAX: 713.838.9300
 www.lentz-engineering.com



DRAINAGE PLAN

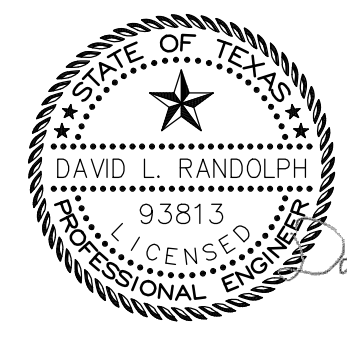
Project No. 1801.74
 Date
 Drawn by
 Checked by
 Sheet No.



DETAIL TRENCH DRAIN
 N.T.S.

SEE SHEET C-16 & C-17 FOR APPROVED DETENTION PLAN AND CALCULATIONS

FBC Engineering Approval



BELLA TERRA MONTESSORI SCHOOL

STORM SEWER CALCULATIONS
 FORT BEND COUNTY 3 YEAR RAINFALL

Drainage		Total	Time of	Curve	3 year		Table 2-2		100 year		CF = 1.25		Design		Design	
From	To	Area	Area	Conc.	Number 1	Flows	Coefficient	i	Flows	Reach	Diameter	Slope	Manning's	Capacity	Velocity	Velocity
Ac.	Ac.	(minutes)	c"			(cfs)		(in/Hr)	(cfs)	(ft)	(Inches)	%	"n"	(cfs)	(fps)	(fps)
A1	A2	0.07	0.07	10.00	2.06	0.15	0.80	9.30	0.69	15	12	0.44	0.013	2.37	3.01	3.01
A2	A3	0.12	0.20	10.00	2.06	0.41	0.80	9.30	1.85	127	15	0.33	0.013	3.72	3.03	3.03
B1	A4	0.03	0.03	10.00	2.06	0.07	0.80	9.30	0.32	10	12	0.44	0.013	2.37	3.01	3.01
A3	A4	0.14	0.34	10.00	2.06	0.71	0.80	9.30	3.19	50	15	0.33	0.013	3.72	3.03	3.03
A4	A5	0.16	0.54	10.00	2.06	1.11	0.80	9.30	5.01	184	18	0.26	0.013	5.37	3.04	3.04
A5	A6	0.15	0.69	10.00	2.06	1.42	0.80	9.30	6.43	120	24	0.18	0.013	9.61	3.06	3.06
A6	A7	0.13	0.82	10.00	2.06	1.69	0.80	9.30	7.63	80	24	0.18	0.013	9.61	3.06	3.06
A7	A8	0.25	1.07	10.00	2.06	2.20	0.80	9.30	9.95	80	30	0.11	0.013	13.68	2.78	2.78
A8	OUT	0.27	1.34	10.00	2.06	2.75	0.80	9.30	12.43	10	48	0.07	0.013	38.07	3.03	3.03