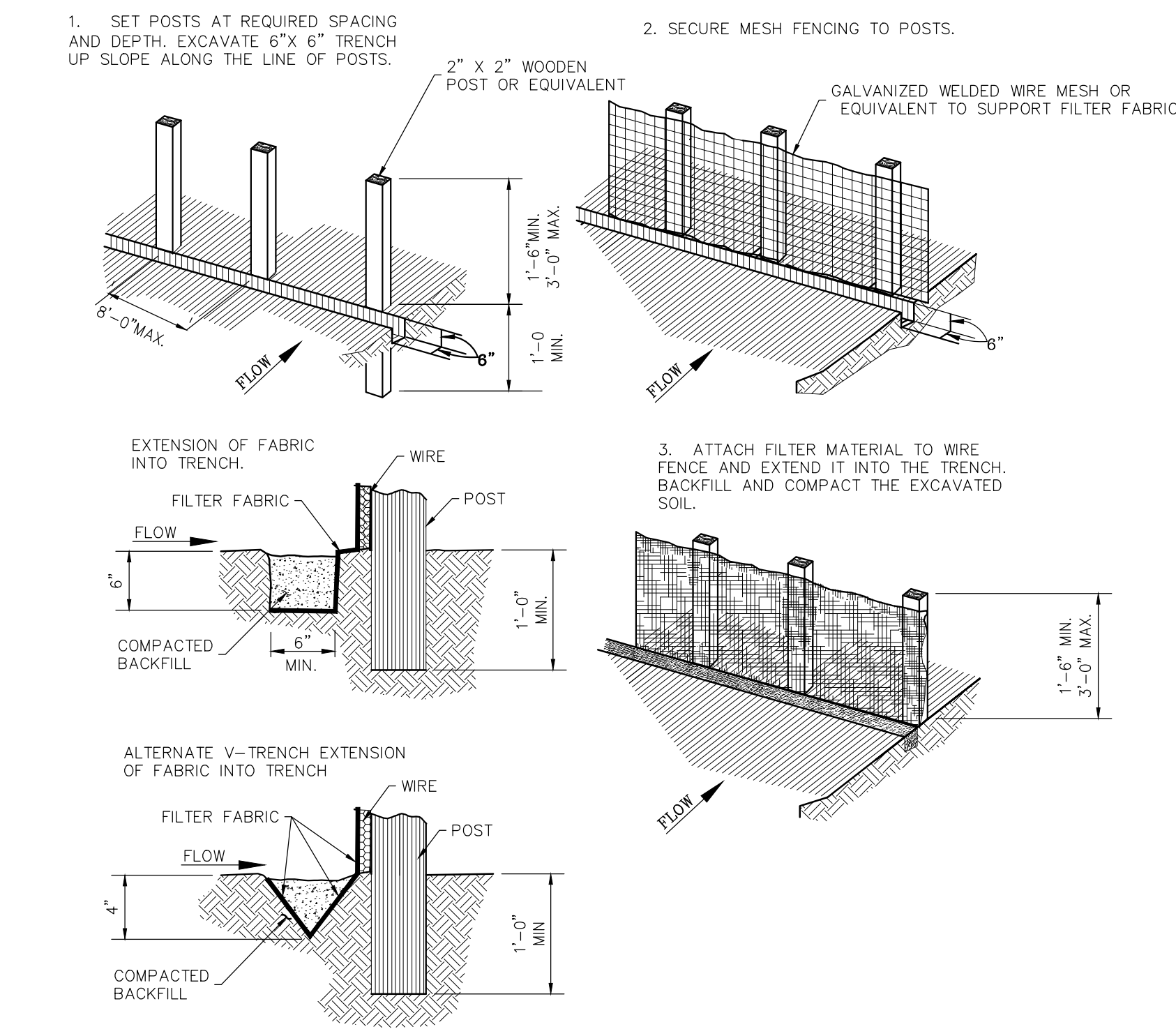
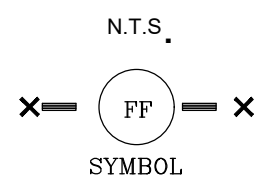


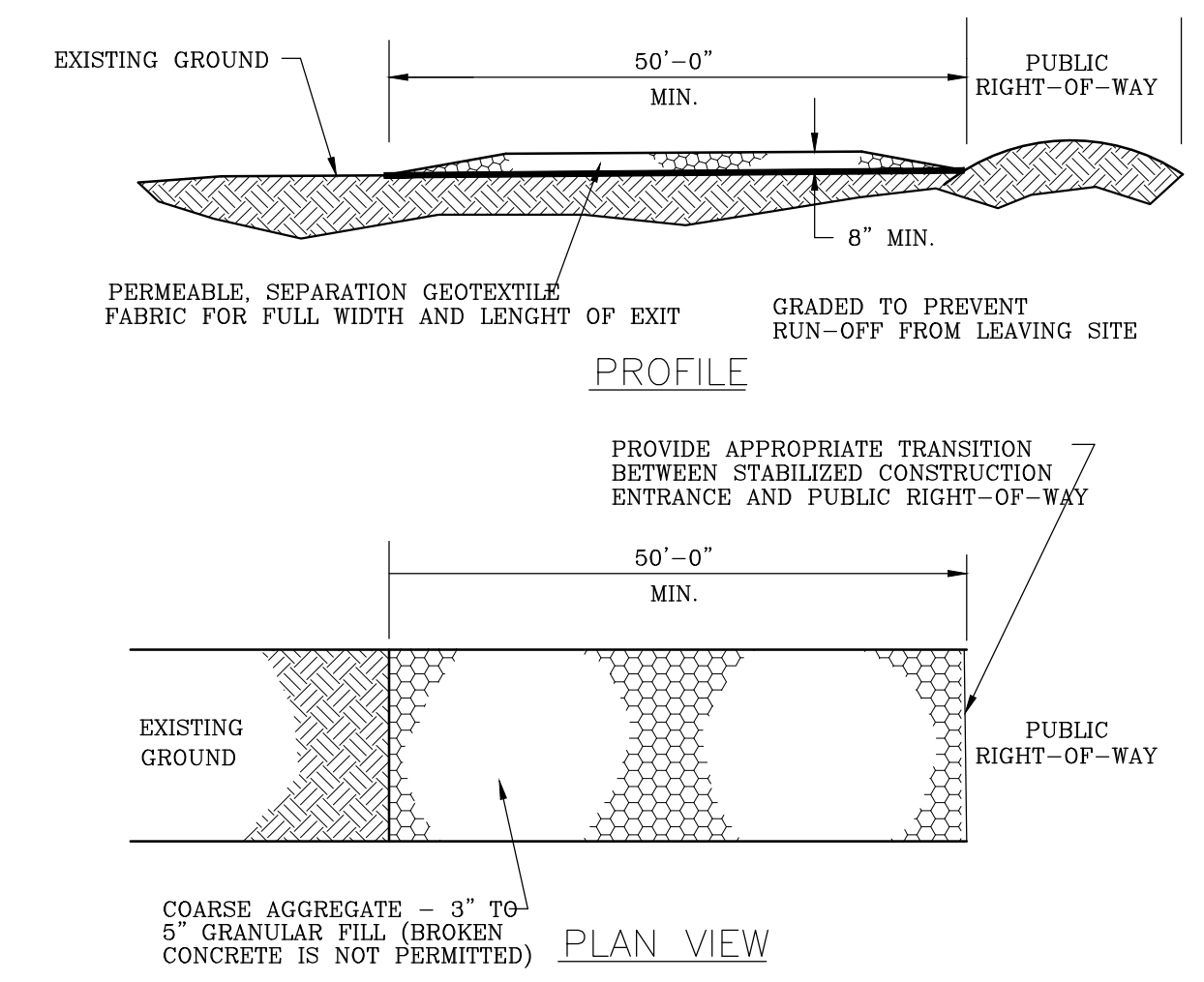
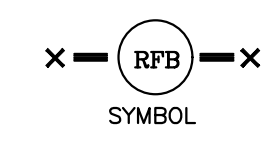
- GENERAL NOTES:
- SET POSTS AT 4-FOOT MAXIMUM SPACING. IF FACTORY PREASSEMBLED FENCE WITH SUPPORT NETTING IS USED, SPACING OF POST MAY BE INCREASED TO 8 FEET MAXIMUM.
  - WHEN TWO SECTIONS OF FILTER FABRIC ADJOIN EACH OTHER, OVERLAP 6 INCHES AT THE POST, FOLD TOGETHER, AND ATTACH TO THE POSTS.
  - REMOVE SEDIMENT DEPOSITS WHEN SILT DEPTH REACHES ONE-THIRD OF THE HEIGHT OF THE FENCE.

**DETAIL FILTER FABRIC FENCE**



- GENERAL NOTES:
- SECURELY FASTEN MESH FENCING TO POSTS WITH STAPLES OR THE WIRE.
  - SECURELY FASTEN FILTER FABRIC TO MESH FENCING.
  - WHEN TWO SECTIONS OF FILTER FABRIC ADJOIN EACH OTHER, OVERLAP 6 INCHES AT A POST, FOLD TOGETHER, AND ATTACH TO A POST.
  - REMOVE SEDIMENT DEPOSITS WHEN SILT REACHES ONE-THIRD OF THE HEIGHT OF THE FENCE IN DEPTH.

**DETAIL REINFORCED FILTER FABRIC BARRIER**



MINIMUM LENGTH IS AS SHOWN ON CONSTRUCTION DRAWINGS OR 50 FEET, WHICHEVER IS MORE.

CONSTRUCT AND MAINTAIN CONSTRUCTION EXIT WITH CONSTANT WIDTH ACROSS ITS LENGTH, INCLUDING ALL POINTS OF INGRESS OR EGRESS.

UNLESS SHOWN ON THE CONSTRUCTION DRAWINGS, STABILIZATION FOR OTHER AREAS WILL HAVE THE SAME AGGREGATE THICKNESS AND WIDTH REQUIREMENTS AS THE STABILIZED CONSTRUCTION EXIT.

WHEN SHOWN ON THE CONSTRUCTION DRAWINGS, WIDEN OR LENGTHEN STABILIZED AREA TO ACCOMMODATE A TRUCK WASHING AREA. PROVIDE OUTLET SEDIMENT TRAP FOR THE TRUCK WASHING AREA.

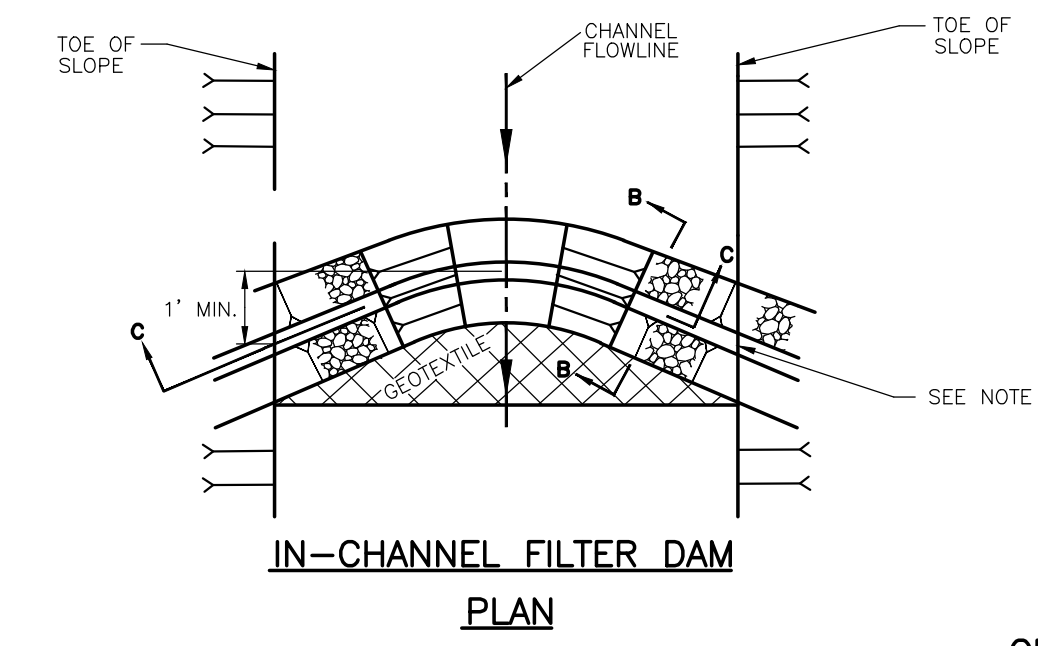
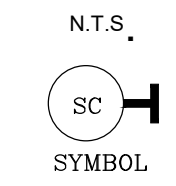
PROVIDE PERIODIC TOP DRESSING WITH ADDITIONAL COARSE AGGREGATE TO MAINTAIN THE REQUIRED DEPTH OR WHEN SURFACE BECOMES PACKED WITH MUD.

PERIODICALLY TURN AGGREGATE TO EXPOSE A CLEAN DRIVING SURFACE.

ALTERNATIVE METHODS OF CONSTRUCTION INCLUDE

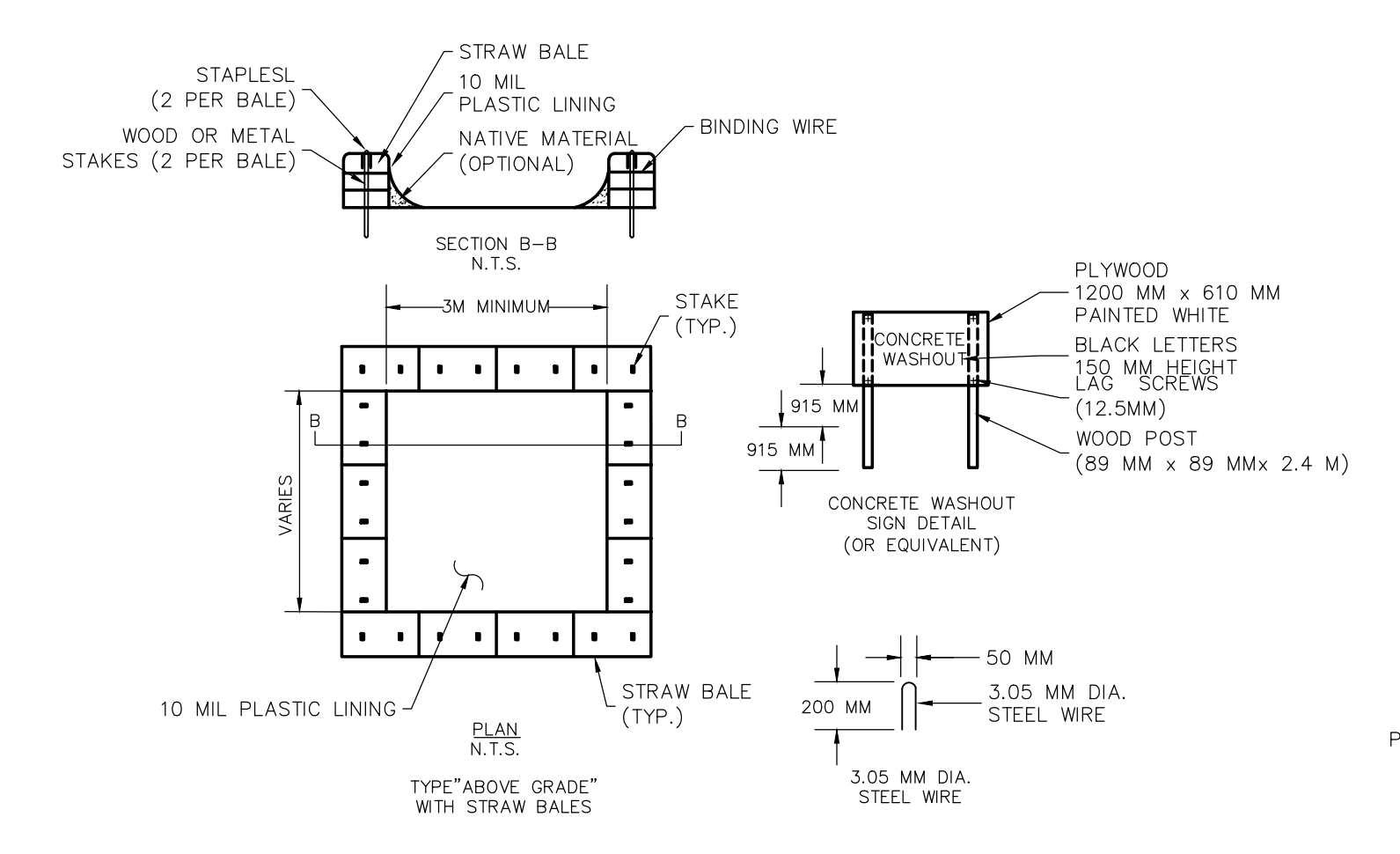
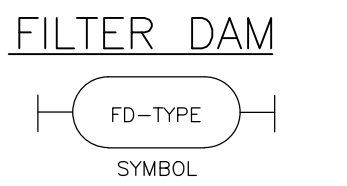
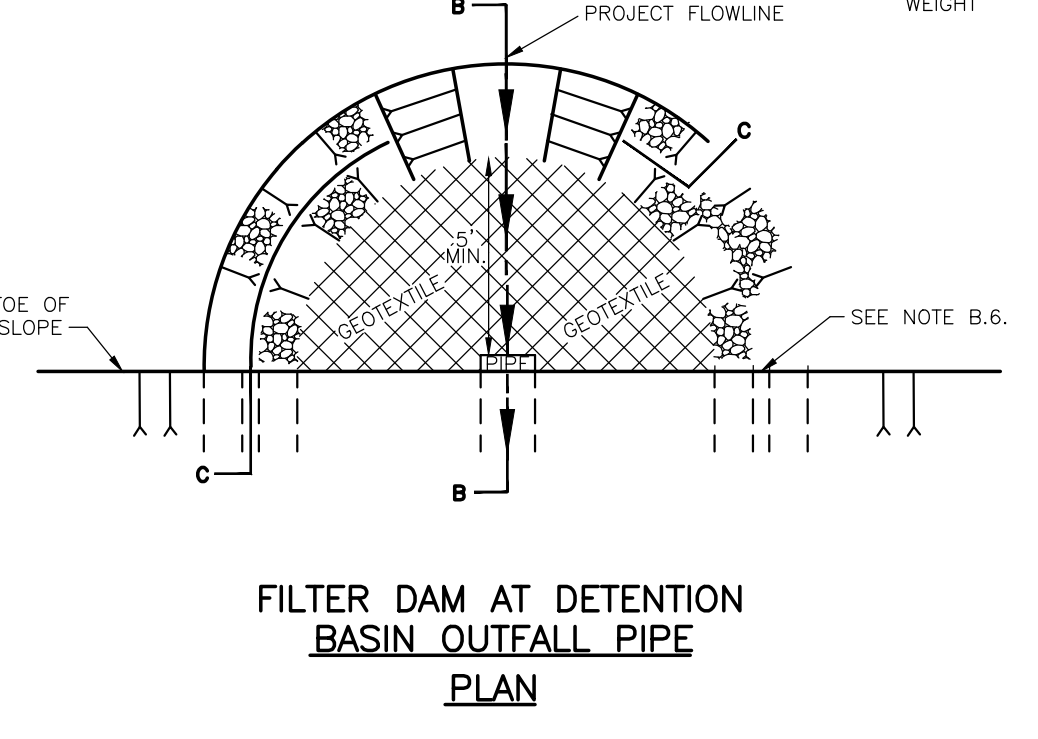
- CEMENT STABILIZED SOIL: COMPACTED CEMENT STABILIZED SOIL, LIMESTONE AGGREGATE, OR OTHER FILL MATERIAL IN AN APPLICATION OF THICKNESS OF 8 INCHES.
- WOOD MATS: OAK OR OTHER HARDWOOD TIMBERS PLACED EDGE TO EDGE AND ACROSS SUPPORT WOODEN BEAMS WHICH ARE PLACED ON TOP OF EXISTING SOIL IN AN APPLICATION THICKNESS OF 6 INCHES.
- STEEL MATS: PERFORATED MATS PLACED ACROSS PERPENDICULAR SUPPORT MEMBERS.

**DETAIL STABILIZED CONSTRUCTION ACCESS**

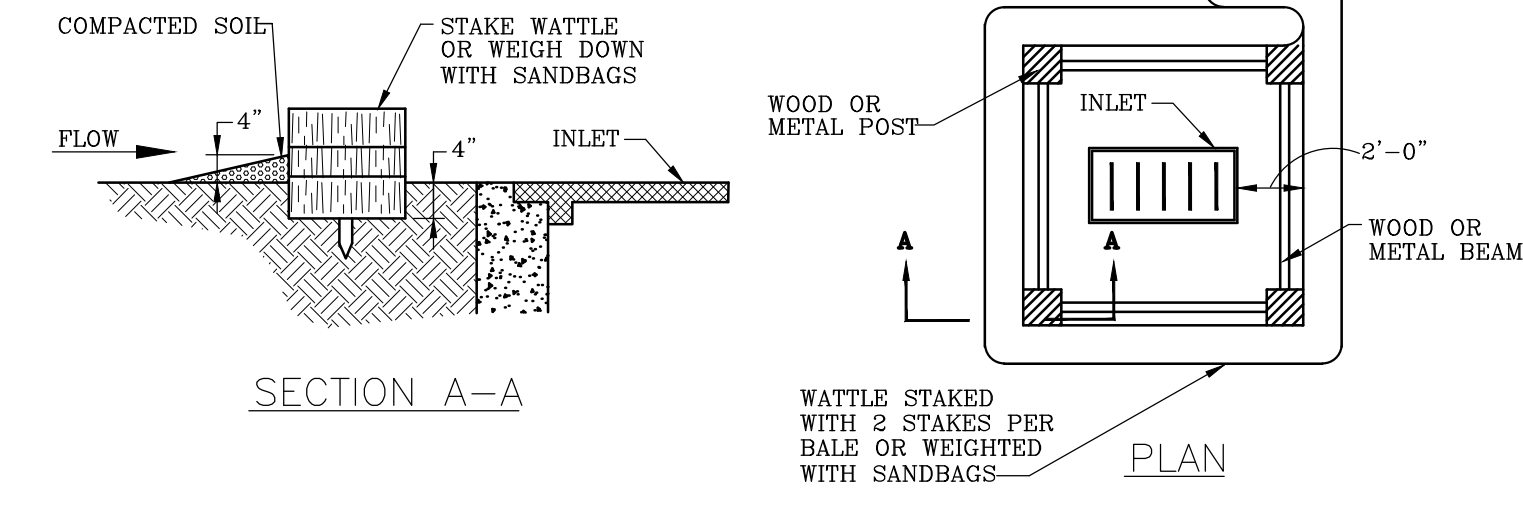


**GEOTEXTILE NOTES:**

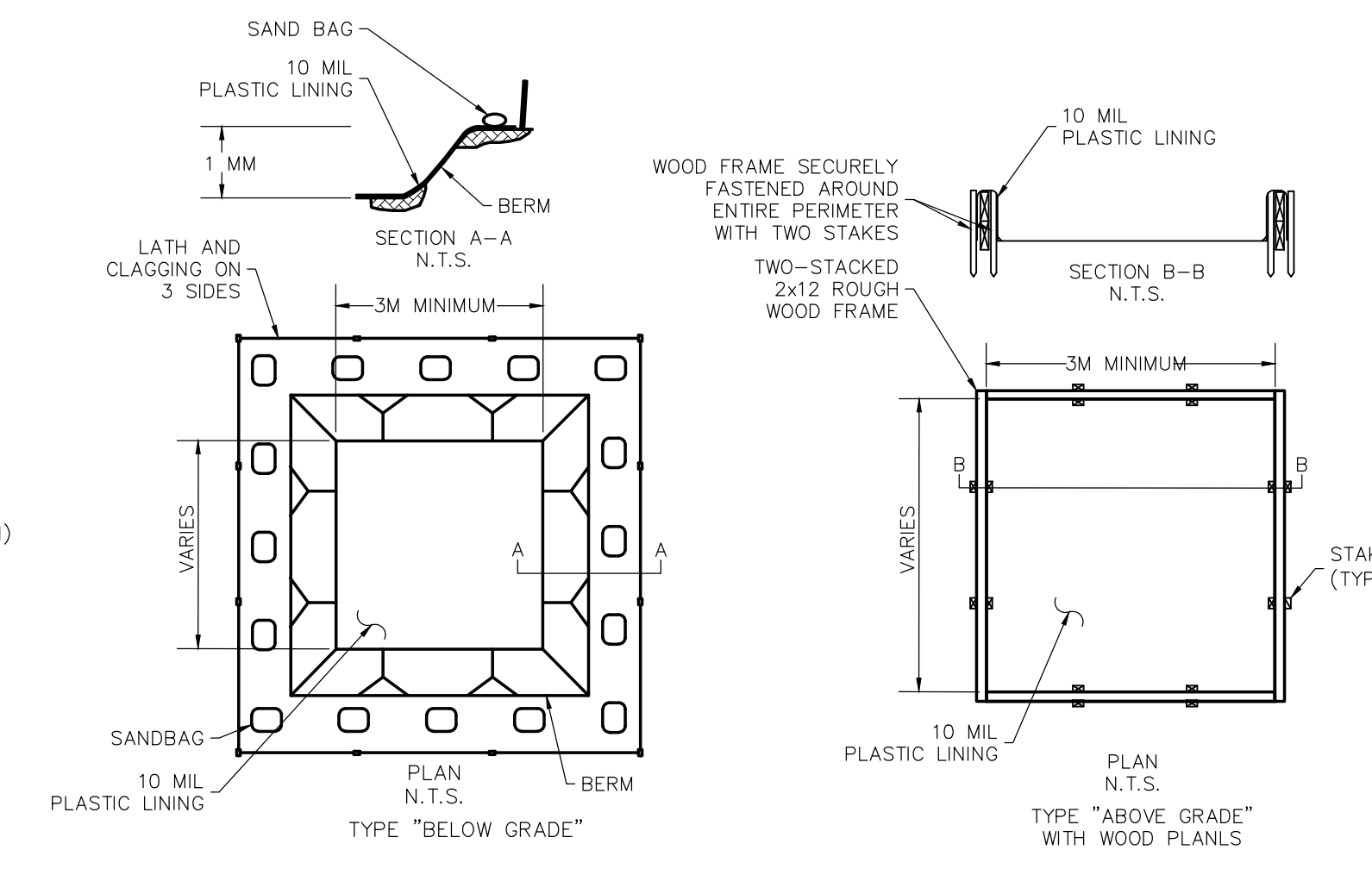
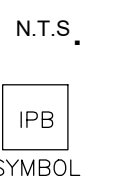
MIN. AOS	SIEVE NO.	120 MIN
MAX. AOS	SIEVE NO.	50 MAX
WEIGHT	OZ/SY	4 OZ. MIN



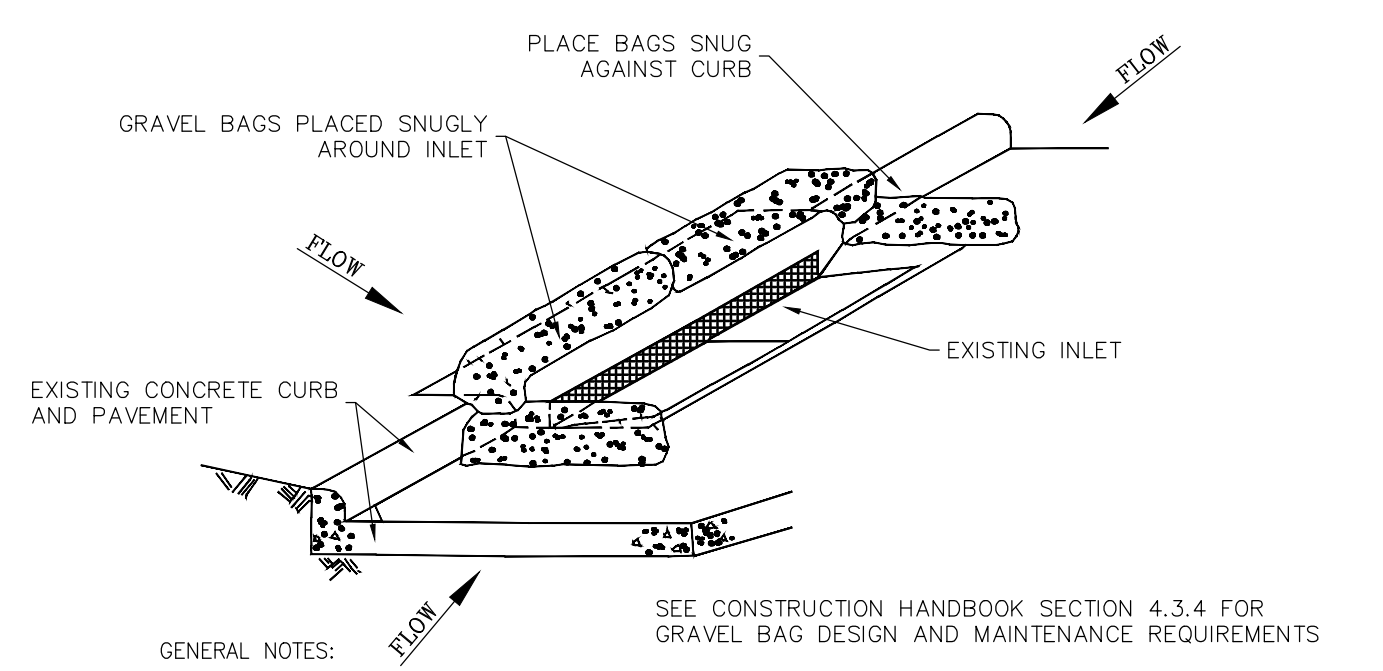
**DETAIL CONCRETE WASH OUT ALTERNATE "A"**



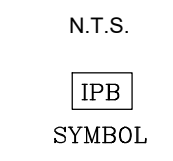
**DETAIL INLET PROTECTION BARRIERS FOR STAGE I INLETS**



**DETAIL CONCRETE WASH OUT ALTERNATE "B & C"**



**DETAIL INLET PROTECTION BARRIERS FOR STAGE II INLETS**



**FILTER DAM NOTES:**

- TYPE 1 (NON-REINFORCED)
    - HEIGHT - 18-24 INCHES. MEASURE VERTICALLY FROM EXISTING GROUND TO TOP OF FILTER DAM.
    - TOP WIDTH - 2 FEET (MINIMUM)
    - SLOPES - 2:1 (MAXIMUM).
  - TYPE 2 (REINFORCED)
    - HEIGHT - 18-36 INCHES. MEASURE VERTICALLY FROM EXISTING GROUND TO TOP OF FILTER DAM.
    - TOP WIDTH - 2 FEET (MINIMUM).
    - SLOPES - 2:1 (MAXIMUM).
  - TYPE 3 (REINFORCED)
    - HEIGHT - 36-48 INCHES. MEASURE VERTICALLY FROM EXISTING GROUND TO TOP OF FILTER DAM.
    - TOP WIDTH - 2 FEET (MINIMUM).
    - SLOPES - 3:1 (MAXIMUM).
  - TYPE 4 (GABION)
    - HEIGHT - 30 INCHES (MINIMUM). MEASURE VERTICALLY FROM EXISTING GROUND TO TOP OF FILTER DAM.
    - TOP WIDTH - 2 FEET (MINIMUM).
    - TYPE 5. AS SHOWN ON THE PLANS.
- CONSTRUCT FILTER DAMS ACCORDING TO THE FOLLOWING CRITERIA UNLESS SHOWN OTHERWISE ON THE PLANS.
    - TYPE 2 AND 3 FILTER DAMS: SECURE WITH 20 GAUGE GALVANIZED WOVEN WIRE MESH WITH 1 INCH DIAMETER HEXAGONAL OPENINGS.
    - GRANULAR FILL:
      - PLACE ON MESH TO HEIGHT AND SLOPES SHOWN ON PLANS OR AS SPECIFIED BY THE ENGINEER.
      - 3-5 INCHES FOR ROCK FILTER DAM TYPES 1,2, AND 4 AND 4-8 INCHES FOR ROCK FILTER DAM TYPE 3. REFER TO GRANULAR FILL IN SPECIFICATION SECTION NO. 02378-RIPRAP AND GRANULAR FILL.
    - WIRE MESH: FOLD AT UPSTREAM SIDE OVER GRANULAR FILL AND TIGHTLY SECURED TO ITSELF ON THE DOWNSTREAM SIDE USING WIRE TIES OR HOG RINGS.
    - IN STREAMS: SECURE OR STAKE MESH TO STREAM BED PRIOR TO AGGREGATE PLACEMENT.
    - SEE SPECIFICATION SECTION NO. 02364-FILTER DAMS.
    - EMBED ONE FOOT MINIMUM INTO SLOPE AND RAISE ONE FOOT HIGHER THAN CENTER OF DEPRESSED AREA AT SLOPE.

NO.	DATE	REVISIONS	APP.

THIS DOCUMENT AND RELATED DETAILS REMAIN THE PROPERTY OF LENTZ ENGINEERING, LLC. THIS DOCUMENT IS NOT TO BE SOLD, COPIED, OR REPRODUCED WHOLE OR IN PART, WITHOUT THE CONSENT OF LENTZ ENGINEERING, LLC.

**LENTZ ENGINEERING**

5809 WEST LOOP SOUTH, SUITE 200  
 BELLAIRE, TEXAS 77401  
 PHONE: 713.839.8900  
 FAX: 713.839.9000  
 TBPB REGISTRATION NO. F.001378  
 www.lentzengineering.net

**THE MONTESSORI AT BELLA TERRA**

23241 FM 1093 ROAD, RICHMOND TEXAS 77406

**STORM WATER POLLUTION PREVENTION DETAILS**

**FBC Engineering Approval**

DAVID L. RANDOLPH  
 LICENSED PROFESSIONAL ENGINEER  
 93813

APPROVED: *[Signature]* 5-21-2019

DRAWN BY: R.D.H. JOB NO: LE-19006  
 DESIGNED BY: D.L.R. DATE: MAY, 2019  
 APPROVED BY: D.L.R. SCALE: N/A

C-9