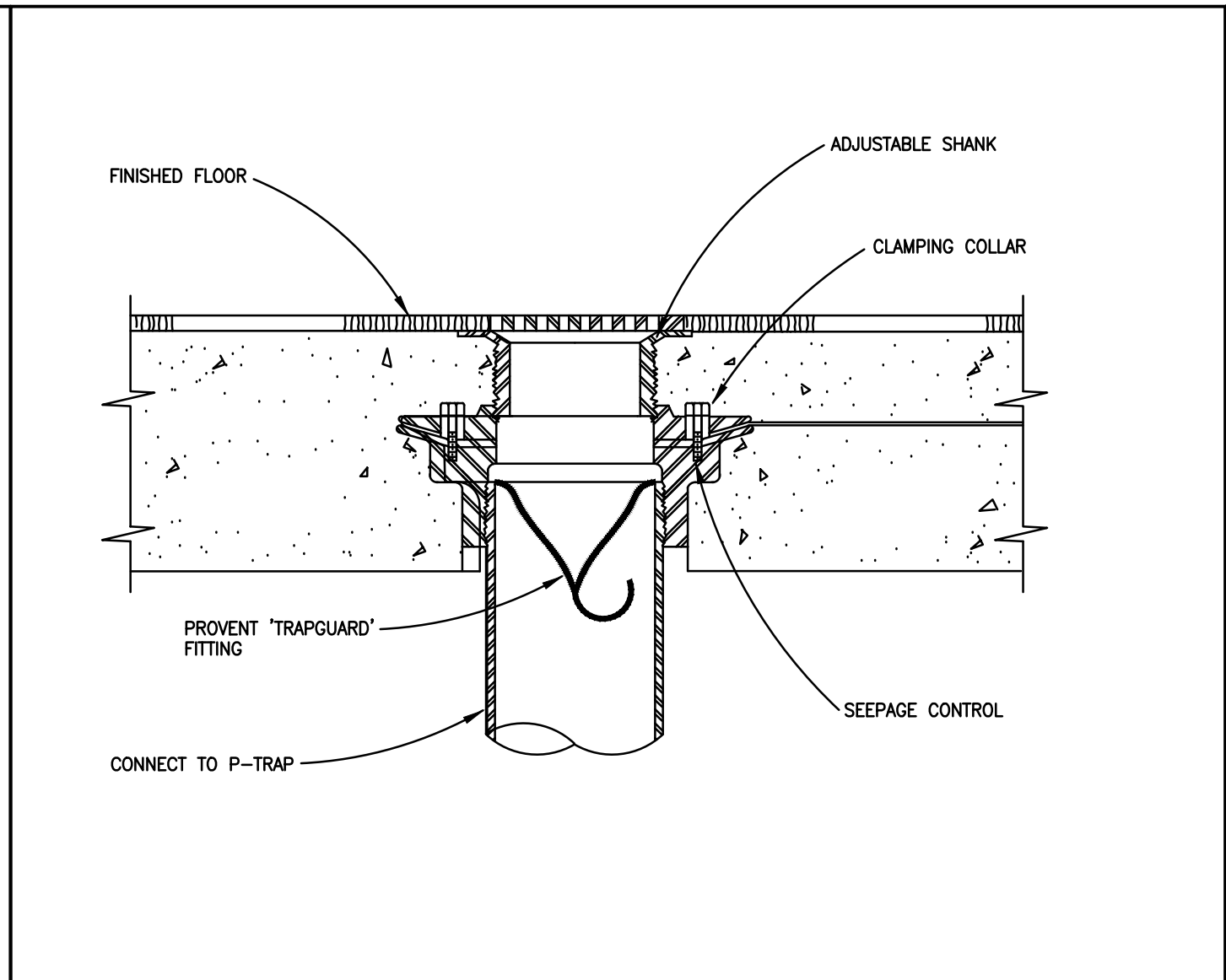
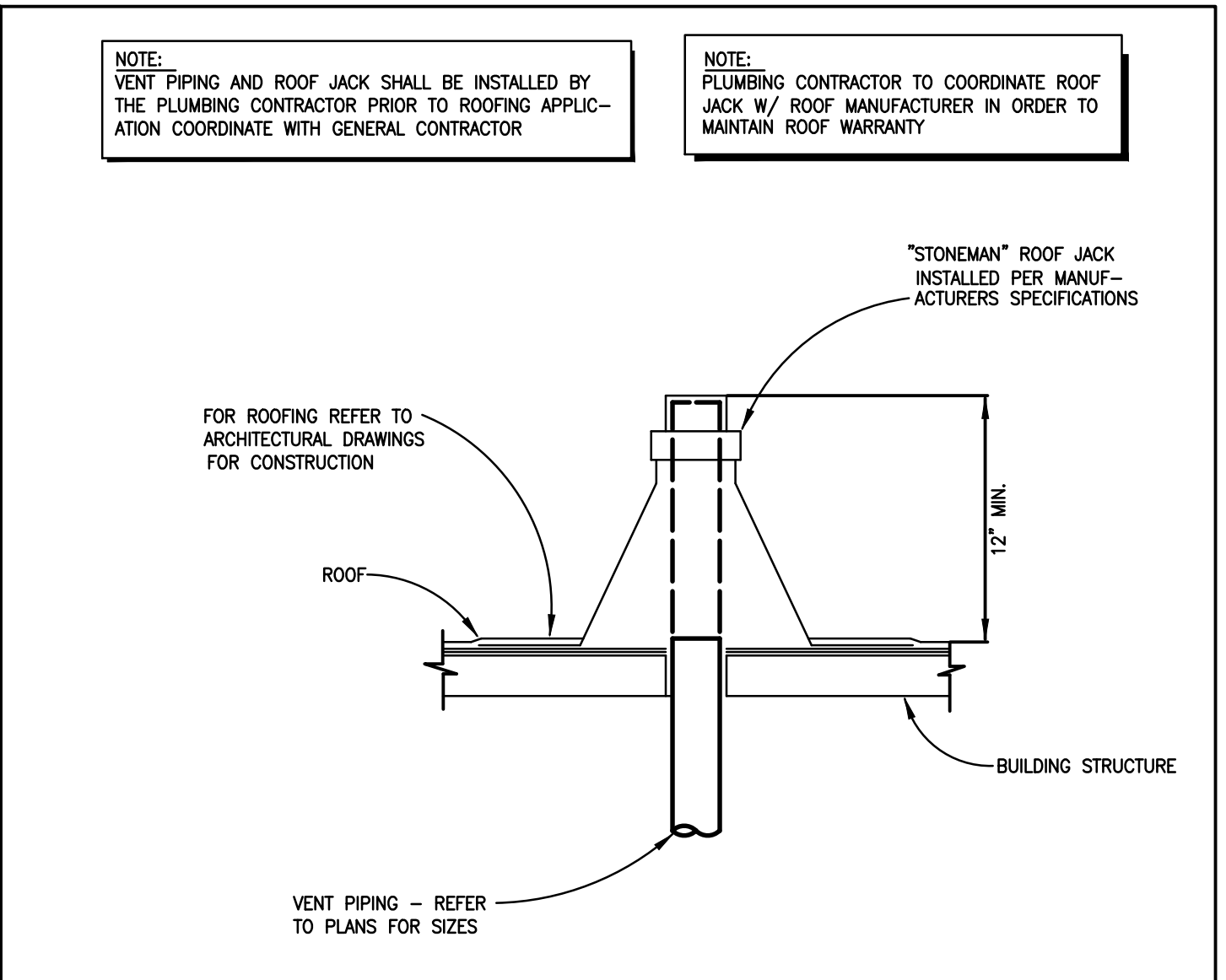


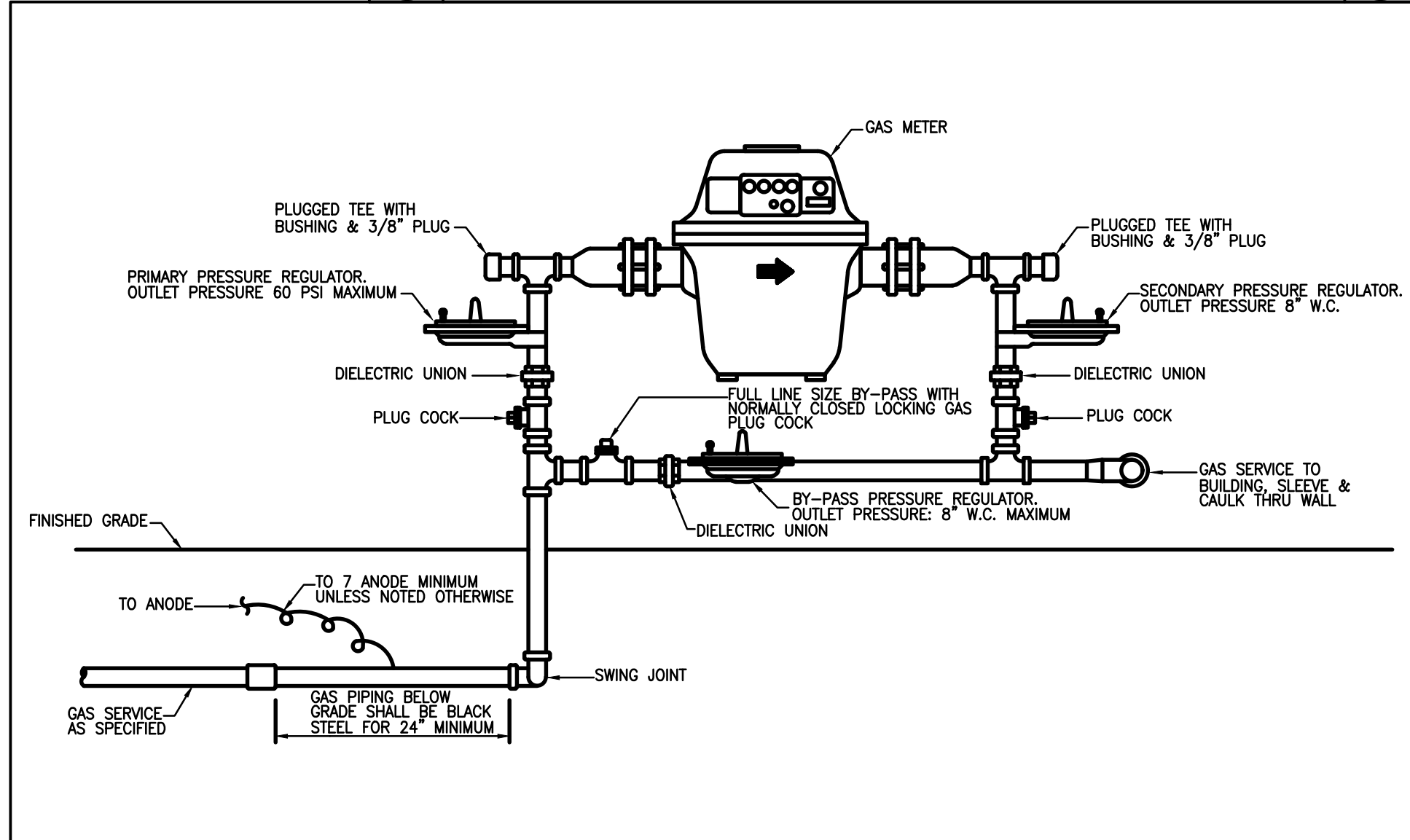
7 **GAS EQUIPMENT CONNECTION** (N<sub>Ts</sub>)



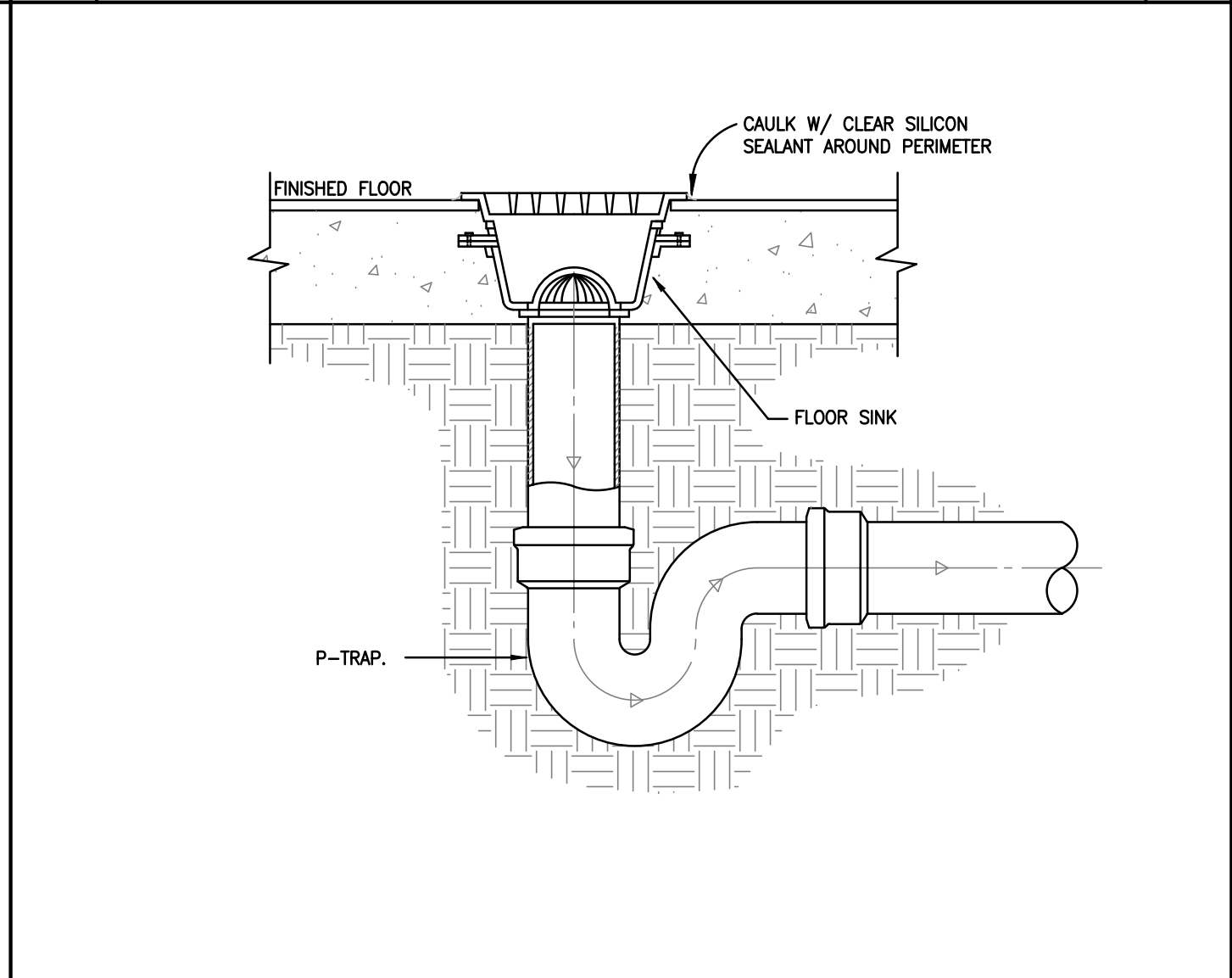
4 **TRAPGUARD DETAIL** (N<sub>Ts</sub>)



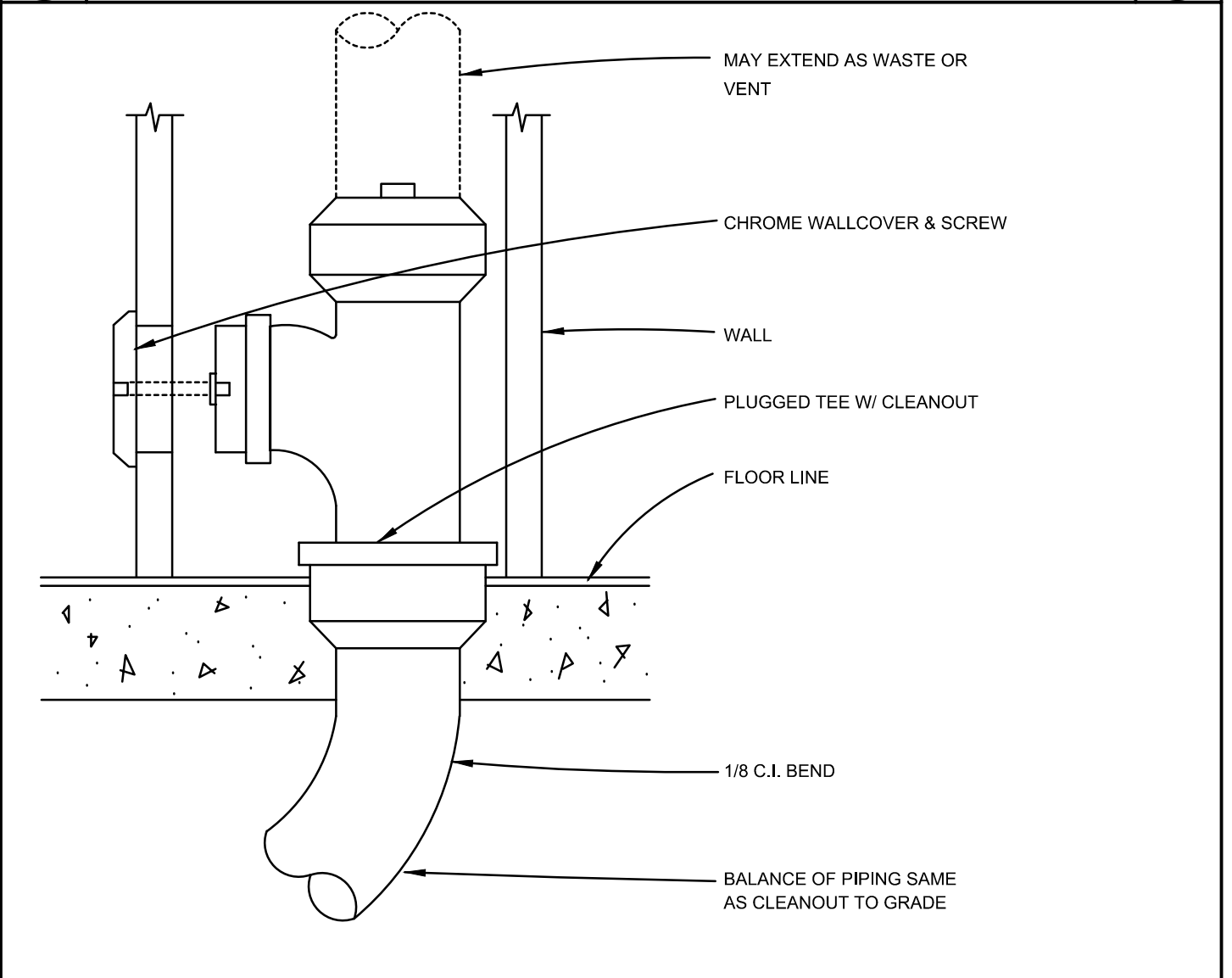
1 **VENT THRU ROOF** (N<sub>Ts</sub>)



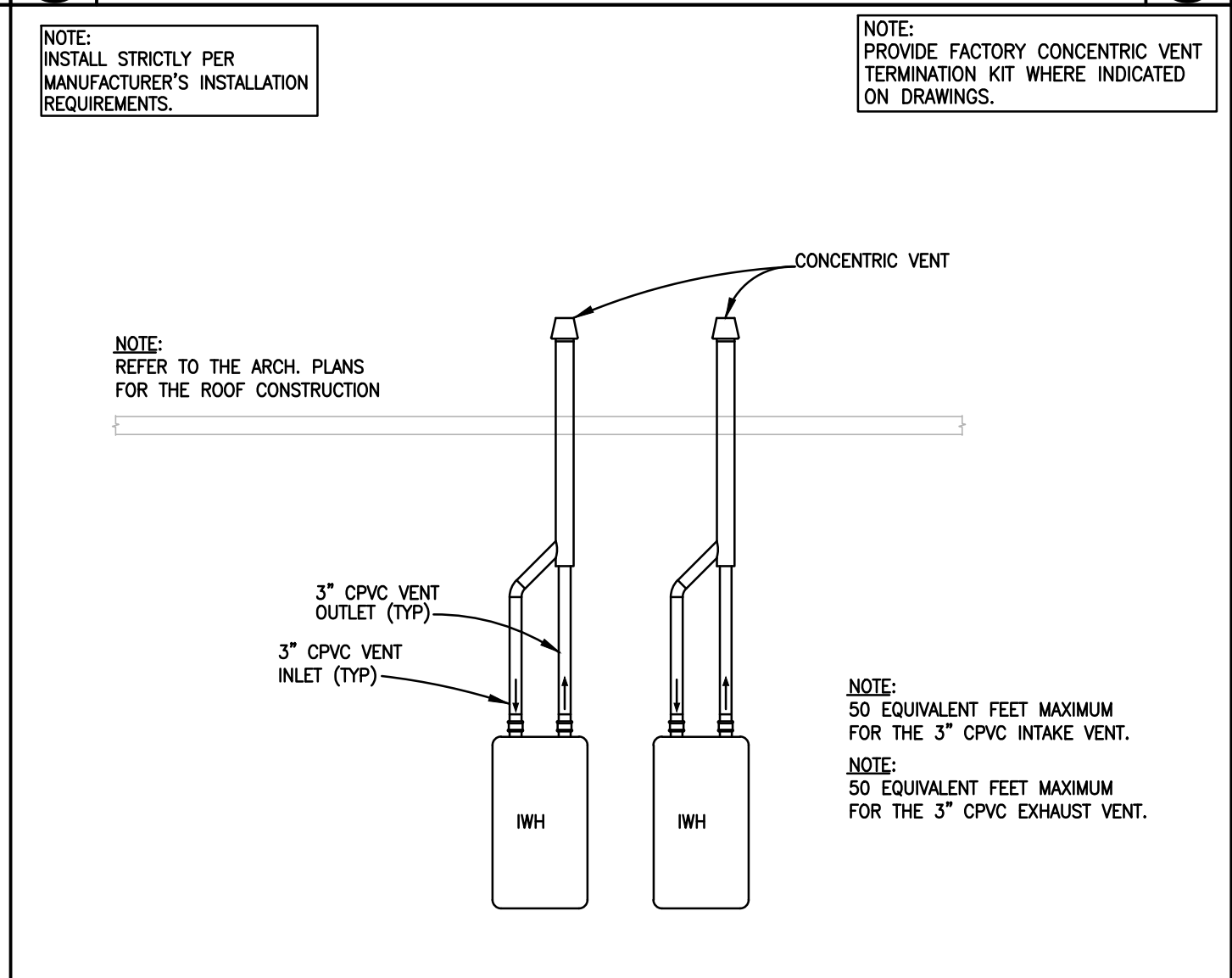
8 **GAS SERVICE ENTRANCE** (N<sub>Ts</sub>)



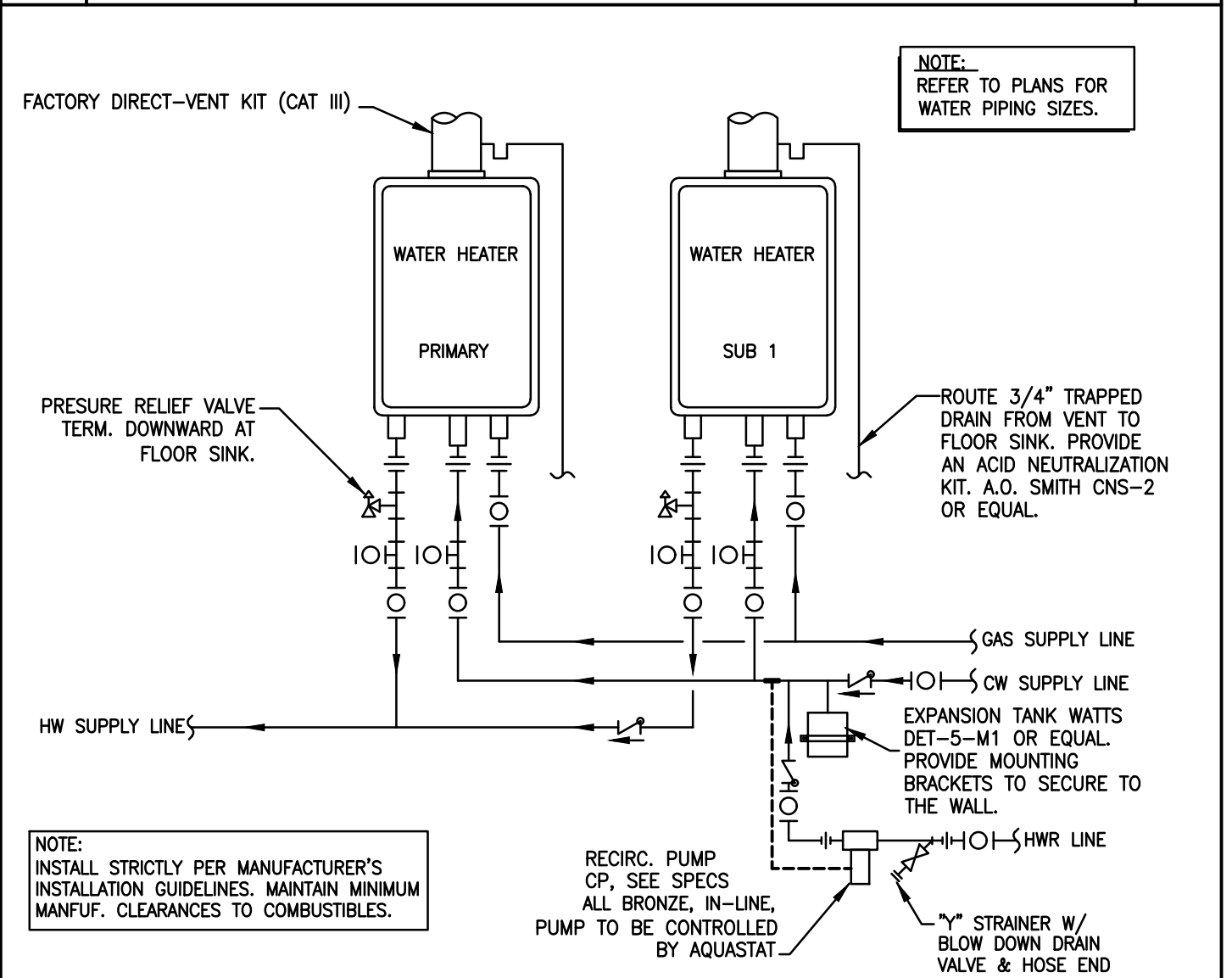
5 **FLOOR SINK DETAIL** (N<sub>Ts</sub>)



2 **WALL CLEANOUT DETAIL** (N<sub>Ts</sub>)



6 **GAS WATER HEATER VENTING** (N<sub>Ts</sub>)

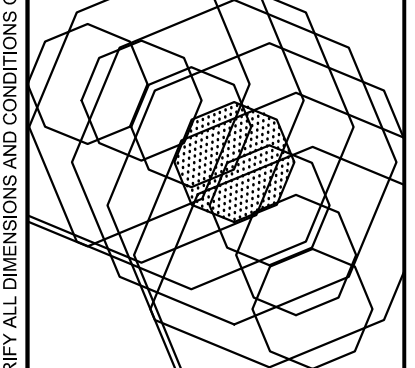


3 **TANKLESS WATER HEATER DETAIL** (N<sub>Ts</sub>)

**THE MONTESSORIOM AT BELLA TERRA**  
 23421 FM 1093 RD.  
 RICHMOND, TX 77406

NO.	DESCRIPTION	DATE
1	FINAL SCHEME	02.01.19
2	REV/FINAL SCHEME	02.07.19
3	PERMIT	05.24.19

**Radian**  
 ARCHITECTURE  
 127184  
 TEL: (713) 931-0807  
 FAX: (713) 931-9874



Date Signed: 05/24/19

Project No. 1801.74  
 Date 02/11/19  
 Drawn by JG  
 Checked by NL

Sheet No. **P2.2**

TEXAS ENGINEER FIRM REGISTRATION #F-15201

**ASEIENGINEERING**  
 25329 Budde rd. #402, Spring, TX 77380  
 aseieengineering.com © 713.300.9579

DFT: EB  
 DSN: DM  
 JOB NO. 190000  
 CHK: DEM

THESE DRAWINGS ARE THE PROPERTY OF RADIAN ARCHITECTURE AND MAY NOT BE COPIED OR REPRODUCED WITHOUT THE WRITTEN APPROVAL OF RADIAN ARCHITECTURE, 127184, SUITE A, SUGAR LAND, TX 77478, PHONE: (713) 931-0807. THESE PLANS ARE COPYRIGHTED AND ARE SUBJECT TO COPYRIGHT PROTECTION AS AN ARCHITECTURAL WORK UNDER SECTION 20 OF THE COPYRIGHT ACT 17 U.S.C. AS AMENDED DECEMBER 1, 1994 AND KNOWN AS THE ARCHITECTURAL COPYRIGHT PROTECTION ACT OF 1991. THE PROTECTION INCLUDES BUT IS NOT LIMITED TO, THE ORIGINAL FORM AS WELL AS THE ARRANGEMENT AND COMPOSITION OF SPACES AND ELEMENTS OF THE DESIGN. UNDER SUCH PROTECTION, UNAUTHORIZED USE OF THESE PLANS, WORK OR THE FORMS REPRESENTED CAN LEGALLY RESULT IN CESSION OF SUCH PROTECTION OR BUILDING BEING SEIZED AND/OR RAZED. THE BUILDING CONTRACTOR MUST VERIFY ALL DIMENSIONS AND CONDITIONS ON THESE PLANS PRIOR TO ANY CONSTRUCTION AND SHALL NOTIFY THE ARCHITECT OF ANY DISCREPANCIES BEFORE COMMENCING WORK.